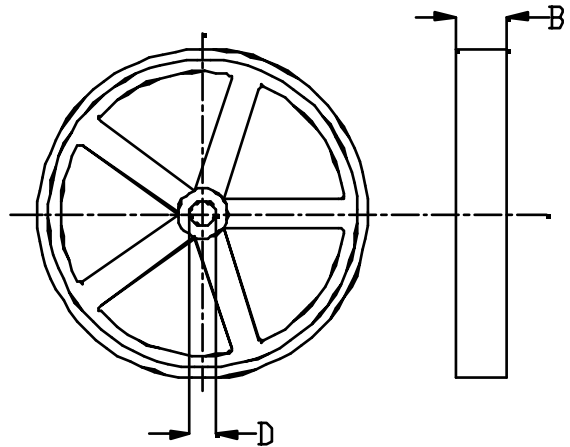
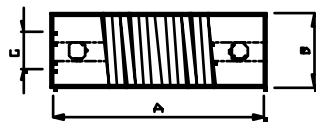


Wheels



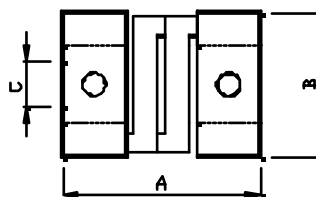
Type	Circumference	D	B	Material
9101	500mm	12	25	Rubber .
9101.1	500mm	12	25	Vulkolan
9102	500mm	12	25	Profiling rubber
9103	500mm	12	25	Knurled aluminium
9108	200mm	6	12	Vulkolan
9109	200mm	6	12	Profiling rubber
9110	200mm	6	12	Knurled aluminium

Couplings



Normally

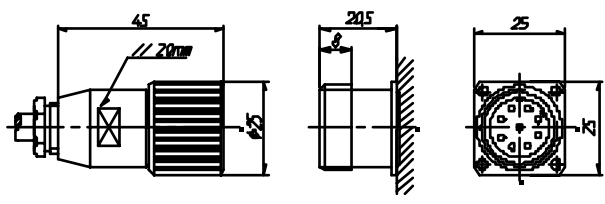

Type	A	B	C
9401	50	26	6-14
9402	35	16	5-8



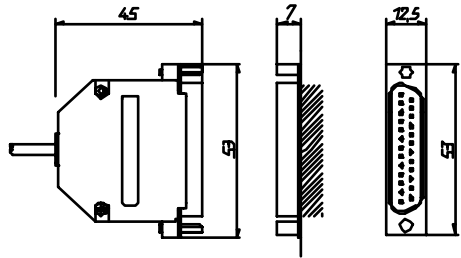

Antitorsion

Type	A	B	C
9403	26	19	6-8
9406	38	25	10-12

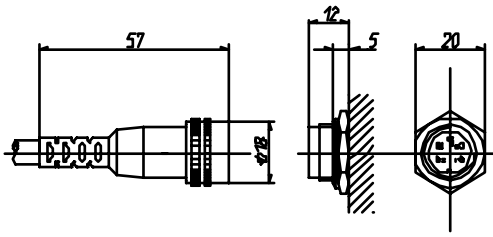

Connectors



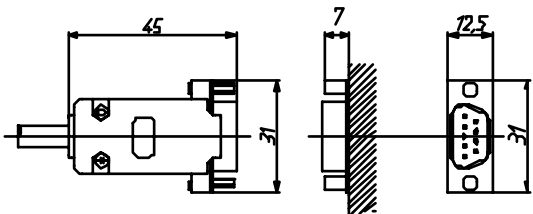

9409
(9 way)



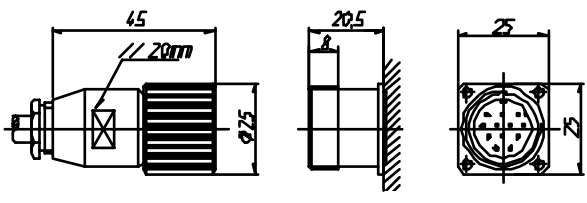

9413
(25 way)




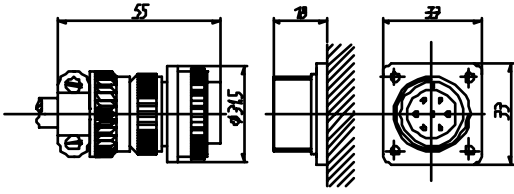
9414
(5 way)




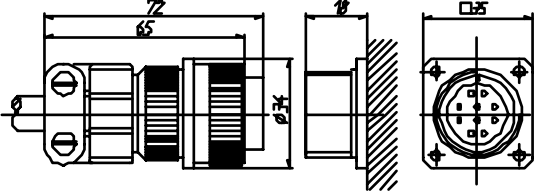
9415
(9 way)




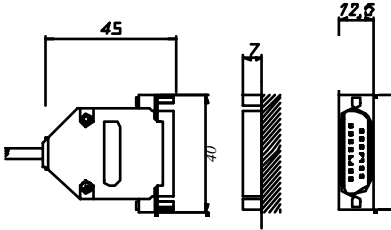
9416
(12 way)


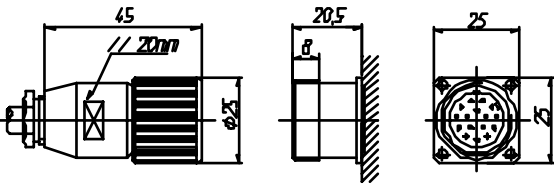
9418
(7 way)


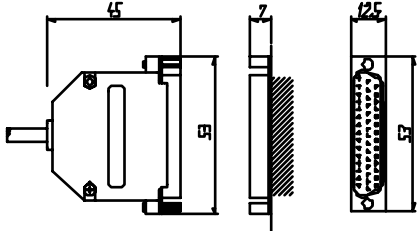
9419
(10 way)

9423
(15 way)


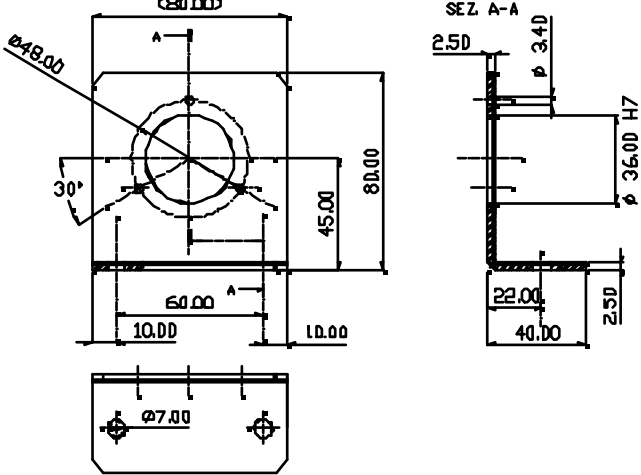
9426
(16 way)

9444
(44 way)


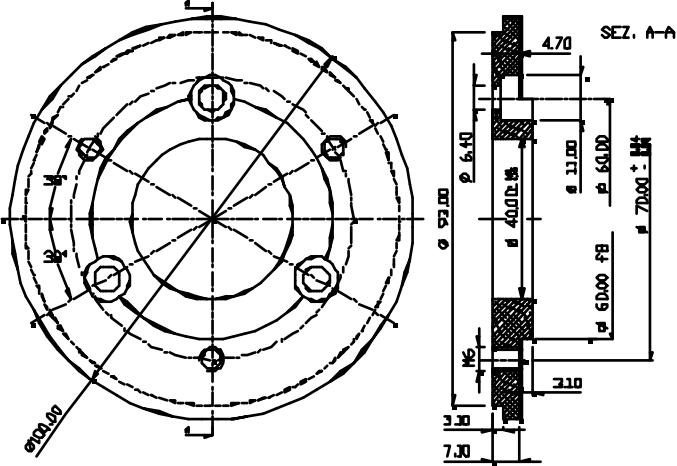
Flanges

9203


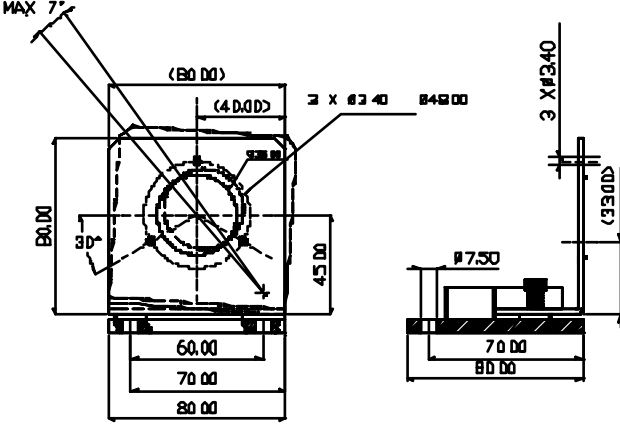
Technical drawing details for flange 9203:
 - Front view: Outer diameter 80.00, inner diameter 48.00, thickness 1.00. Hole diameter 27.00.
 - Top view: Square shape with side length 60.00, hole diameter 48.00, chamfered corners at 30°.
 - Section A-A: Shows a profile with a top thickness of 2.50, a shoulder diameter of 36.00 H7, and a bottom thickness of 2.50. The total height is 40.00.

9210

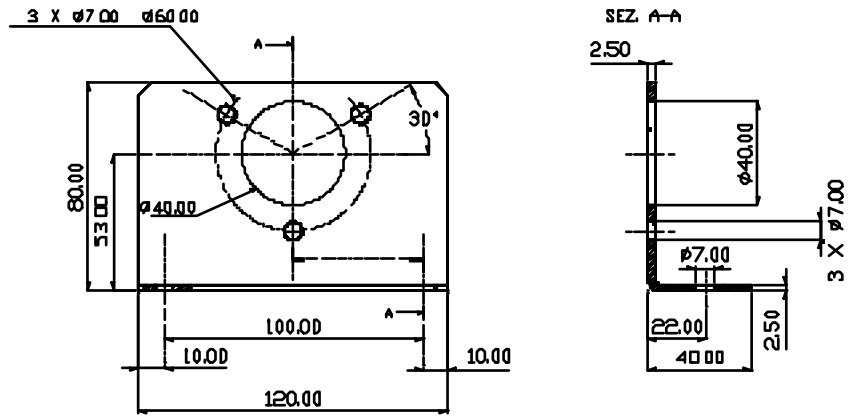
Technical drawing details for flange 9210:
 - Front view: Outer diameter 92.00, inner diameter 60.00, thickness 7.30.
 - Top view: Circular shape with 4 holes, hole diameter 11.00, and a central hole diameter of 40.00.
 - Section A-A: Shows a profile with a top thickness of 4.70, a shoulder diameter of 60.00 ± 0.04, and a bottom thickness of 7.30. The total height is 11.00.

9213

Technical drawing details for flange 9213:
 - Front view: Outer diameter 80.00, inner diameter 48.00, thickness 1.00. Hole diameter 27.00.
 - Top view: Square shape with side length 80.00, hole diameter 48.00, chamfered corners at 30°. Features 3 holes with diameter 2.40 and a distance of 84.80 between them.
 - Section A-A: Shows a profile with a top thickness of 7.50, a shoulder diameter of 70.00, and a bottom thickness of 80.00. The total height is 93.00.

9301



COP58PG

