

Application 6: Auxilliary Comms

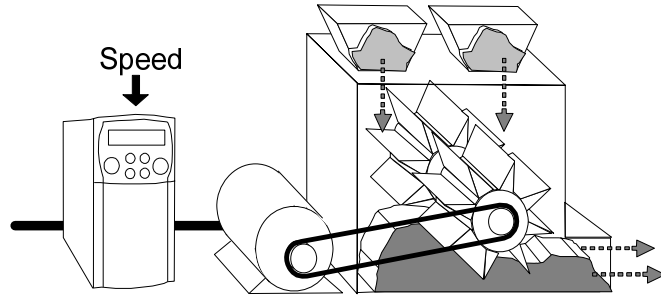
IDEAL FOR GENERAL PURPOSE ALLICATIONS,
NORMAL DUTY AND HEAVY DUTY

STANDARD PARAMETERS

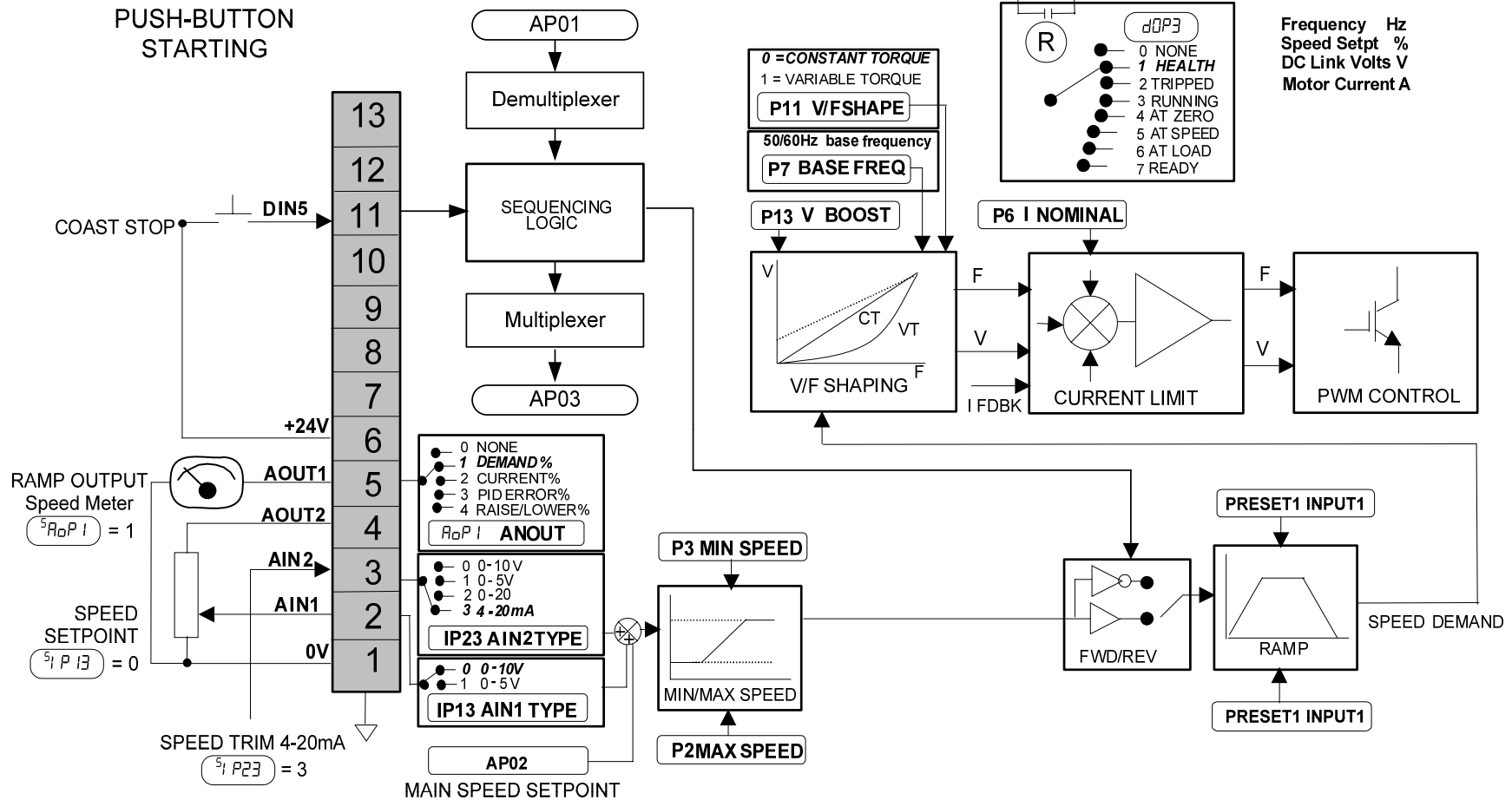
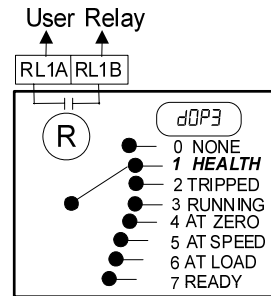
- p1 Application
- p2 Max speed
- p3 Min speed
- p4 Accel time
- p5 Decel time
- p6 Motor rated current
- p7 Base frequency
- p8 Jog setpoint
- p9 Stop mode
- p11 V/F shape
- p12 Normal duty
- p13 Fixed boost, (VF only)
- p99 Password

DIAGNOSTICS

- Frequency Hz
- Speed Setpt %
- DC Link Volts V
- Motor Current A

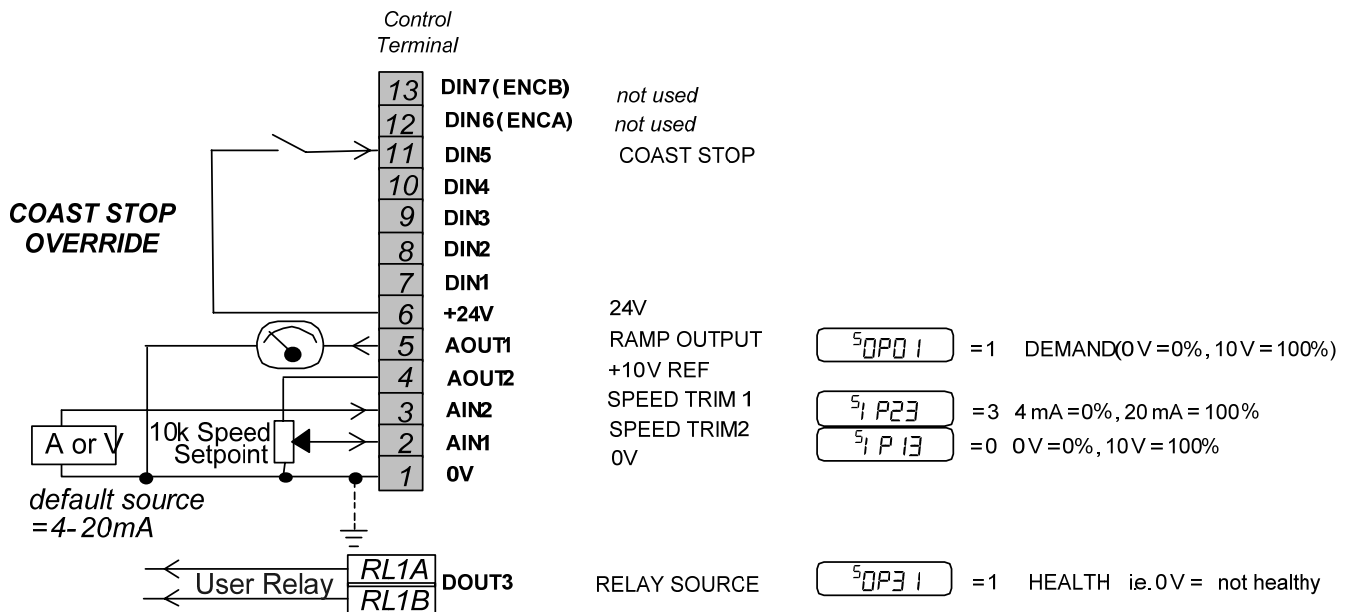


Italic text indicates Default



Application 6: AUXILLIARY COMMS

General purpose implementation of basic speed control, with sequencing and speed reference conveniently controlled and monitored (via just 3 parameters) over comms.



AP01 (Tag 599)

Mask	Function
Bit 4	Jog
Bit 3	Trip reset
Bit 2	Reverse
Bit 1	Enable
Bit 0	Run forward

AP03 (Tag 598)

Mask	Diagnostic
Bit 13	At speed
Bit 12	Zero speed
Bit 11	Ramping
Bit 10	Fan running
Bit 9	Healthy
Bit 8	Reversed
Bit 7	System reset
Bit 6	Ready
Bit 5	Switched on
Bit 4	Switch on enabled
Bit 3	Stopping
Bit 2	Jogging
Bit 1	Running
Bit 0	Tripped