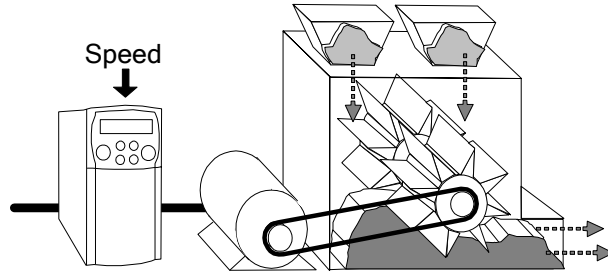


Application 1 : Basic Speed Control (default)



Basic Speed Control

IDEAL FOR GENERAL PURPOSE APPLICATIONS

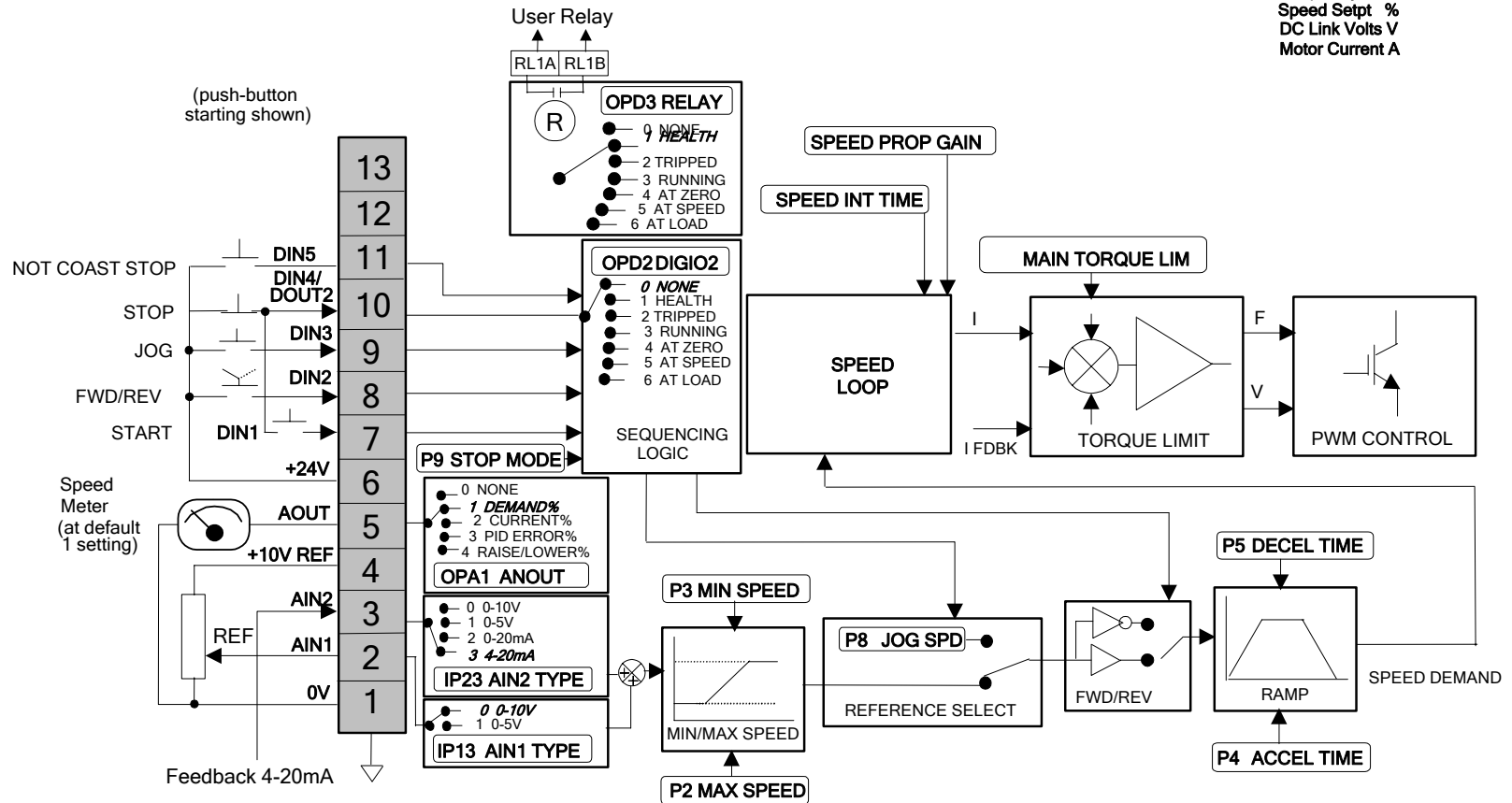
Italic text indicates Default

STANDARD PARAMETERS

- p2 Max speed
- p3 Min speed
- p4 Accel time
- p5 Decel time
- p8 Jog setpoint
- p9 Stop mode
- p99 Password

DIAGNOSTICS

- Frequency Hz
- Speed Setpt %
- DC Link Volts V
- Motor Current A



Application 1: Basic Speed Control (default)

This Application is ideal for general purpose applications. It provides push-button or switched start/stop control. The setpoint is the sum of the two analogue inputs AIN1 and AIN2, providing Speed Setpoint + Speed Trim capability.

