



# MELT PRESSURE TRANSMITTER PRECISE TO WITHIN 0.5% WITH 4-20 mA OUTPUT

6-pin  
connector  
version

MODEL 0130



MODEL 0130

The 0130 converts applied pressure at the point of measurement to a proportional voltage output signal. An amplifier converts the strain gage signal to a 4-20 mA output. The small capillary tube filled with a special medium isolates the amplifier from potential thermal damage. The rigid stem makes installation fast and easy.

## FEATURES

The ISI 0130 Series Melt Pressure Transmitter is based on the same basic fluid capillary and strain gage design found in the ISI's high accuracy line of melt pressure transducer.

- High level output 2-wire, 4-20 mA;
- Better than 0.5% combined error
- Fluid filled system for temperature stability
- 80% output signal for easy calibration
- Armoloy coated diaphragm
- Other diaphragms available

MODEL 0131



MODEL 0131

The 0131 offers all the advantages of Model 0130, but incorporates an 18-inch flexible capillary tubing with a stainless steel armored jacket between the amplifier housing and the stem.

These transmitters are designed for applications requiring further thermal isolation or where installation would be otherwise difficult or impractical.

MODEL 0132



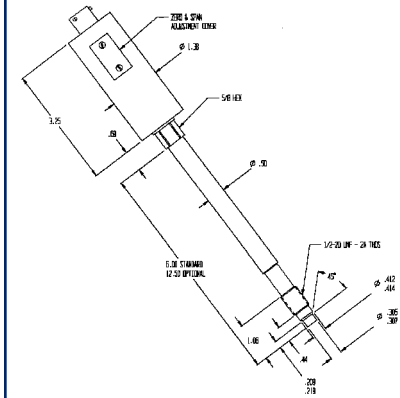
MODEL 0132

The 0132 provides simultaneous measurement of pressure and temperature at a single point.

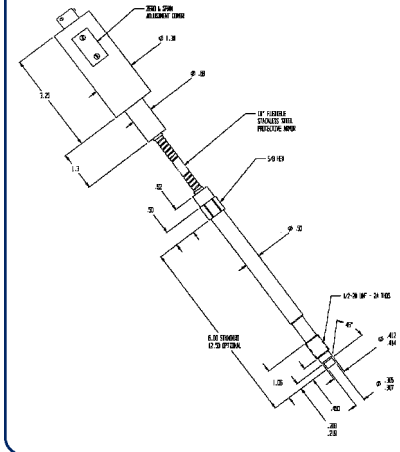
Only one mounting hole is required for installation. The thermocouple or optional RTD is protected from process hazards and can be replaced without interrupting the pressure signal. Pressure performance is identical to Models 0130 and 0131.



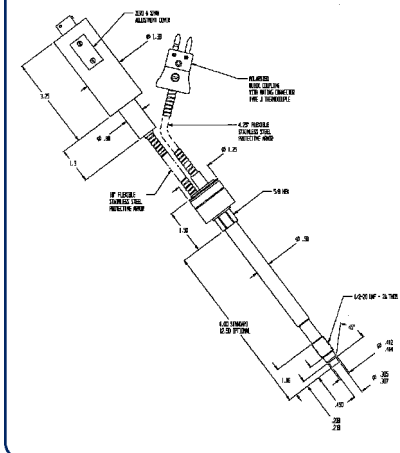
**MODEL 0130**



**MODEL 0131**



**MODEL 0132**



**DEVICE SPECIFICATIONS**

**MECHANICAL RANGES**

PSIG	BAR	PSIG	BAR	PSIG	BAR
0-500	0-35	0-1,500	0-100	0-7,500	0-500
0-750	0-50	0-3,000	0-200	0-10,000	0-700
0-1,000	0-70	0-5,000	0-350	0-15,000	0-1,000

Combined Error/Error Band	±0.5% of full scale output
Repeatability	±0.1% of full scale output
Overload Capability	2 times full scale output
Mounting Torque	500 inch-pounds maximum (120 inch-pound recommended)
Diaphragm Material	15-5PH stainless steel (Armoly coated)

**ELECTRICAL**

Output	4-20 mA
Input Voltage	18-36 Vdc (24 Vdc recommended)
Load Resistance	1200 maximum at 36 Vdc 600 maximum at 24 Vdc
Internal Resistance Calibration (factory adjusted)	Produces a precise electrical signal which is 80% of full scale output within ±0.5%

**TEMPERATURE ON AMPLIFIER HOUSING**

Maximum Temperature	160°F or 70°C
Zero Shift	Less than 2.0% FSO/100°F
Sensitivity Shift	Less than 1.0% FSO/100°F

**TEMPERATURE ON DIAPHRAGM**

Maximum Temperature	750°F or 400°C
Zero Shift	25 PSIG/100°F or 45 PSIG/100°C

**CONNECTIONS**

Mounting	1/2-20 UNF thread (standard) M18x 1.5 (also available)
Electrical	6 pin Bendix (PT02A-10-6P)
Mating Connector (sold separately)	PT06A-10-6S(SR)

**ORDERING GUIDE**

**MELT PRESSURE TRANSMITTER**

When ordering, specify: ISI Model, Code #, Stem Length and Flex Length\*

Example: ISI 0130-5.0T-6 or 0131-5.0T-6/18

ISI MODEL	PRESSURE RANGE			STEM LENGTH**	FLEX LENGTH**	
	PSIG	CODE #	BAR			
ISI 0130	0-500	0.50 T	0-35	0.35 CB	6 = 6 in.	18 in.
	0-750	0.75 T	0-50	0.50 CB		
	0-1,000	1.0 T	0-70	0.70CB		
ISI 0131	0-1,500	1.5 T	0-100	1.0 CB	12 =12.5 in.	24 in.
	0-3,000	3.0 T	0-200	2.0 CB		
	0-5,000	5.0 T	0-350	3.5 CB		
ISI 0132	0-7,500	7.5 T	0-500	5.0 CB		30 in.
	0-10,000	10.0 T	0-700	7.0 CB		
	0-15,000	15.0 T	0-1,000	1.0 MB		

\* (0131 and 0132 version only) \*\* (other lengths available)