

Series H

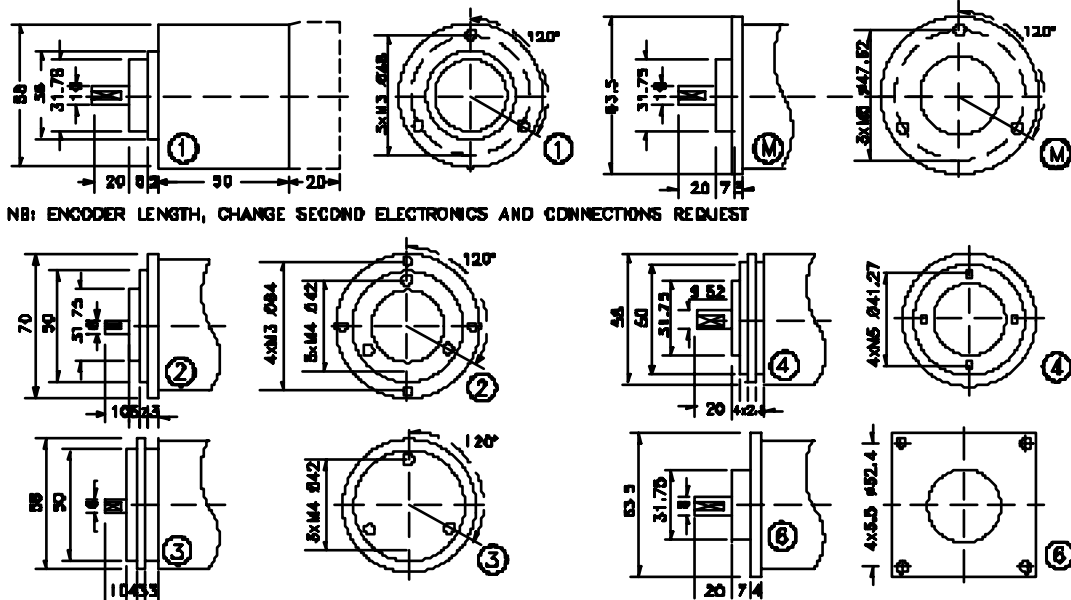
Incremental shaft encoder,
high settlement

Mechanics Data

Cover:	Lacquered aluminium
Body:	Aluminium
Solid shaft:	Stainless steel
Bearings:	2, ballraces
Weight:	Approx.300gr.
Protection:	IP65
Rpm:	6000 Max
Torque:	5Ncm
Inertia:	100gm ²
Shaft loading:	Axial 100N - Radial 100N (the value decrease when the number of pulses increase)

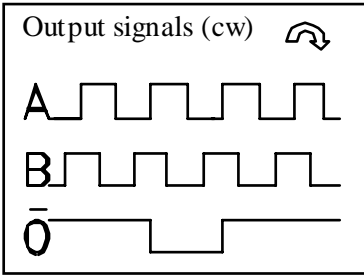


Dimensions in mm.



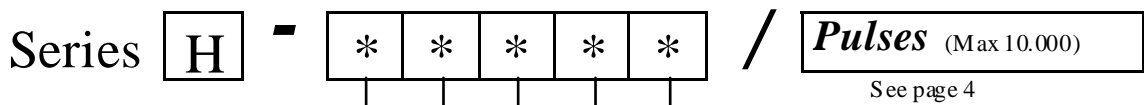
Series H

Electronics Data



Power supply: from 5 to 24V depends on the electronics circuit
 Current consumption: 40/80mA depends on the electronics circuit
 Permissible load: 40mA
 Frequency: 600KHz depends on the electronics circuit
 Protections: Against short circuit, reversal polarity
 Operating Temp.: -20/+60°C (-30/+100°C) on request

Ordering code



Shaft

- 3 = Ø 6mm
- 6 = Ø 8mm
- 4 = Ø 9.52mm
- 1 = Ø 10mm
- On request
- 2 = Ø 12mm

Flange

- 1 = see previous page
- 2 = see previous page
- 3 = see previous page
- 4 = see previous page
- 6 = see previous page
- M = see previous page

Outputs

- 2 = AB PP11/28V
- 3 = AB0 PP11/28V
- N = AB+AB PP11/28V
- P = AB0+AB0 PP11/28V
- B = AB OC11/28V
- C = AB0 OC11/28V
- G = AB NPN 11/28V
- H = AB0 NPN 11/28V
- 5 = AB+AB LD5V
- 6 = AB0+AB0 LD5V
- 8 = AB+AB LD5/12V
- 9 = AB0+AB0 LD5/12V
- S = AB+AB LD15/24V(out 12V)
- T = AB0+AB0 LD15/24V(out 12V)
- K = AB0+AB0 LD15/24 (out 5V)

Connections

- 2 = 9414 Radial
- 0 = 9414 Axial
- 3 = Cable Radial
- 9 = Cable Axial
- 4 = 9418 Radial
- 6 = 9418 Axial
- 5 = 9416 Radial
- E = 9416 Axial
- 7 = 9419 Radial
- 8 = 9419 Axial
- B = 9415 Radial
- A = 9415 Axial
- N = 9413 Axial.

Options

- 0 = None
- 1 = High zero pulse
- Z = Synchronised zero Pulse to 180° only for Line Driver
- W = Synchronised zero Pulse to 90° only for Line Driver
- A = Special connections
- Y = Power supply 5/12V for output NPN/OC/PP

Connections

	0 Volt	+ Volt	A	B	A̅	B̅	0	0̅
Cable 5 Way	White	Brown	Green	Yellow				Gray
Cable 8 Way	Black	Blue	Brown	Beige	Green	Yellow	Pink	Violet
Connector 9414	Pin1	Pin2	Pin3	Pin4				Pin5
Connector 9416-9415-9413	Pin1	Pin2	Pin3	Pin4	Pin5	Pin6	Pin7	Pin8
Connector 9418	PinA	PinB	PinC	PinD	PinE	PinF		PinG
Connector 9419	PinA	PinB	PinC	PinD	PinE	PinF	PinG	PinH