

# Series 28

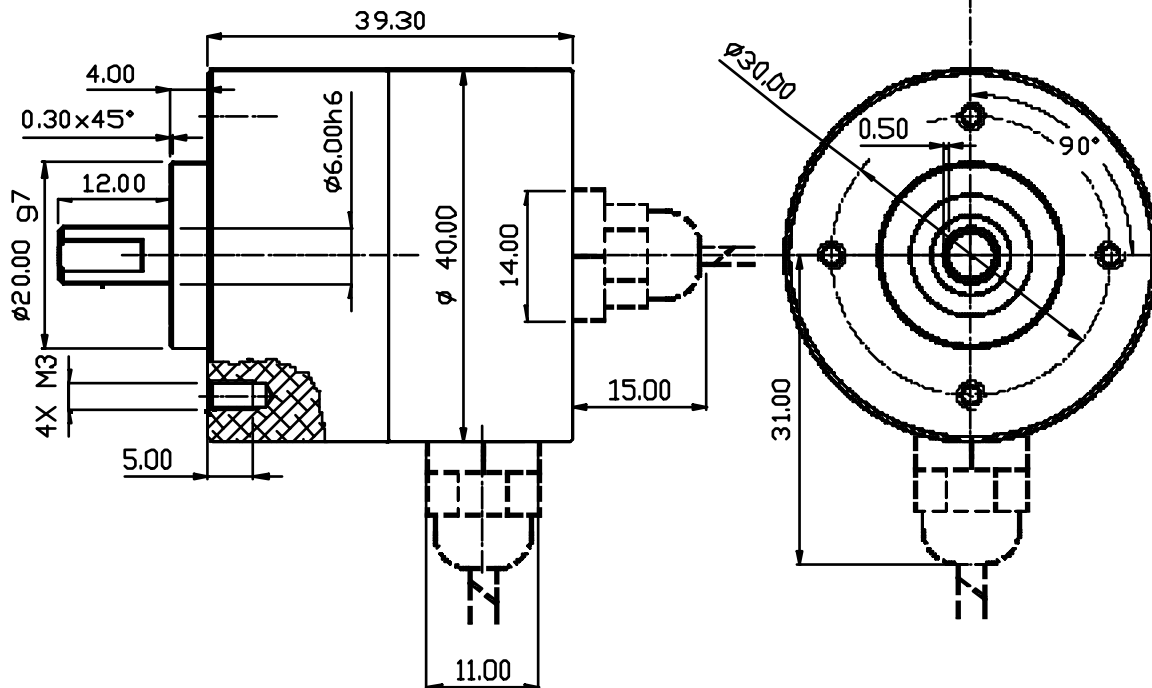
Very compact incremental shaft encoder, light weight

## Mechanics Data

Body and cover:	Chromium-Plated Brass
Shaft:	Stainless steel
Bearings:	2, ballraces
Weight:	Approx.130gr.
Protection:	IP65
Rpm:	6000 Max
Torque:	3Ncm
Inertia:	5gcm <sup>2</sup>
Shaft loading:	Axial 30N - Radial 30N (max. value)

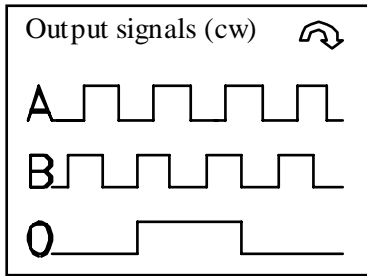


Dimensions in mm.



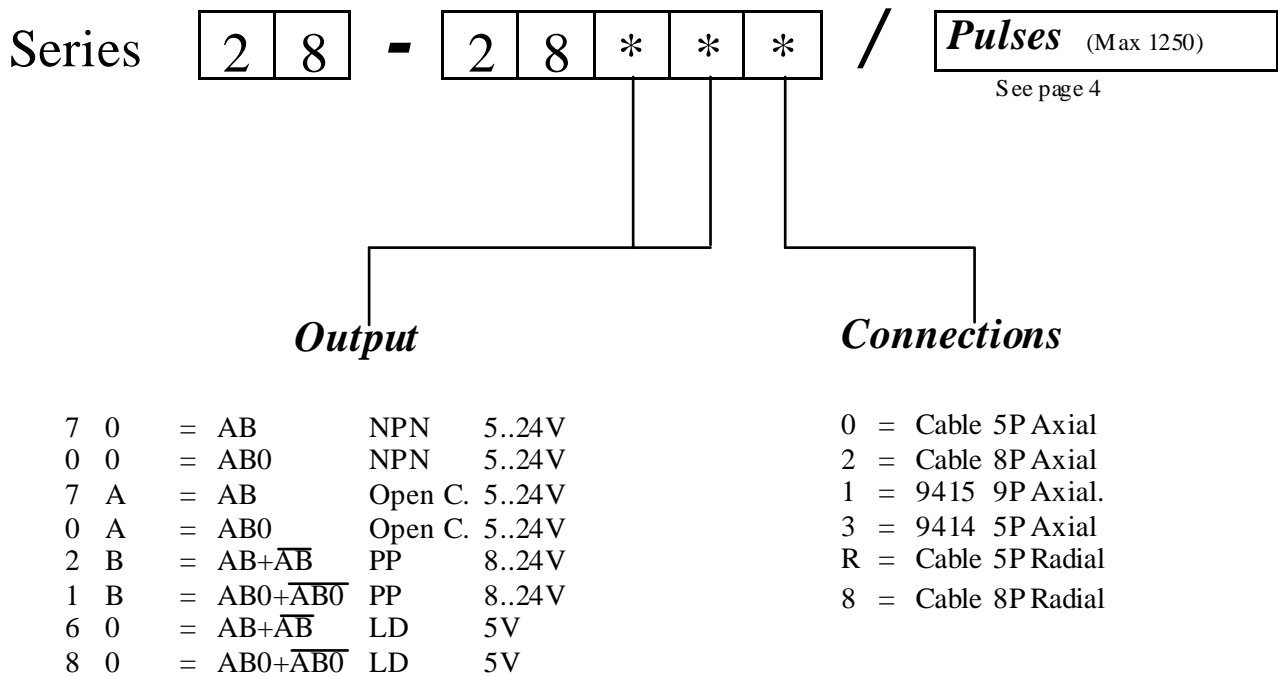
# Series 28

## Electronics Data



Power supply: from 5 to 24V depends on the electronics circuit  
 Current consumption 40/80mA depends on the electronics circuit  
 Permissible load: 20mA  
 Frequency: 100KHz  
 Protections: Against short circuit, reversal polarity  
 Operating Temp.: -20/+60°C

### Ordering code



### Connections

	0 Volt	+ Volt	A	B	$\overline{A}$	$\overline{B}$	0	$\overline{0}$
<b>Cable 5 Way</b>	White	Brown	Green	Yellow			Gray	
<b>Cable 8 Way</b>	Black	Blue	Brown	Beige	Green	Yellow	Pink	Violet
<b>Connector 9415</b>	Pin1	Pin2	Pin3	Pin4	Pin5	Pin6	Pin7	Pin8
<b>Connector 9414</b>	Pin1	Pin2	Pin3	Pin4			Pin5	