

Series PR

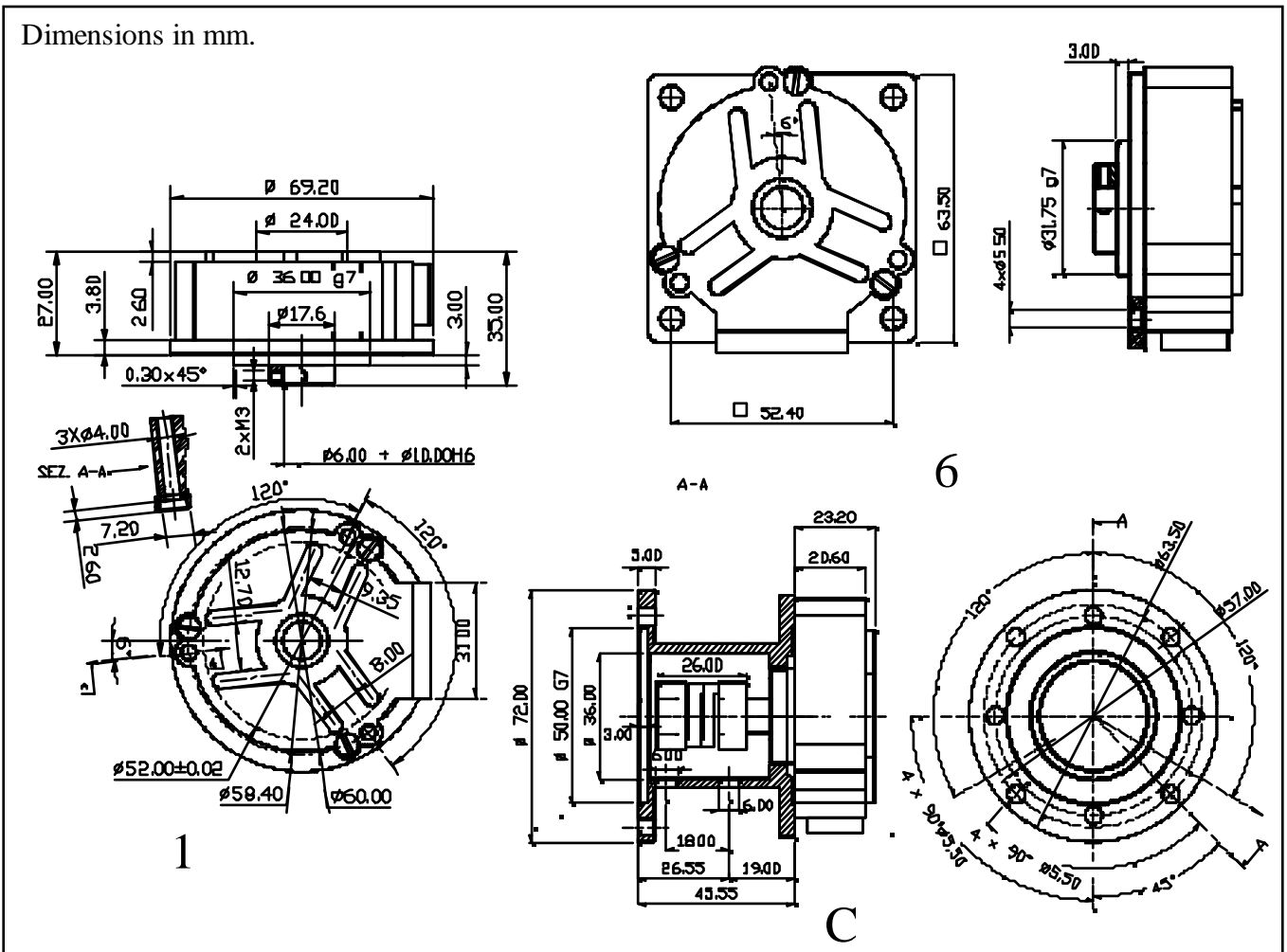
Incremental hollow shaft encoder,
high settlement;
self-aligning
system panted



Mechanics Data

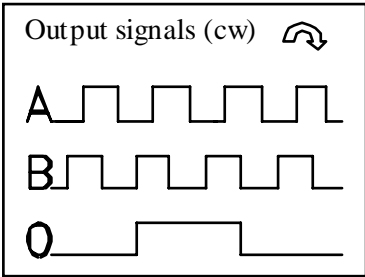
Cover:	SMC fiber glass + ABS
Body:	Aluminium
Solid shaft:	Stainless steel
Bearings:	2, ballraces
Weight:	Approx. 150gr.
Protection:	IP65
Rpm:	6000 Max
Torque:	3Ncm
Inertia:	40gcm ²
Shaft loading:	Axial 30N - Radial 30N
Recovery max value:	Angular 1,5° - 0,5mm axial and radial

Dimensions in mm.



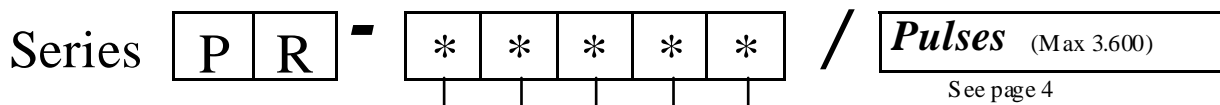
Series PR

Electronics Data



Power supply: from 5 to 24V depends on the electronics circuit
 Current consumption: 40/80mA depends on the electronics circuit
 Permissible load: 20/40mA depends on the electronics circuit
 Frequency: 300KHz depends on the electronics circuit
 Protections: Against short circuit, reversal polarity
 Operating Temp.: -20/+60°C (extension on request)

Ordering code



Shaft

6 = Ø 6mm
 7 = Ø 7mm
 8 = Ø 8mm
 0 = Ø 10mm

On request:
 2 = Ø 12mm
 4 = Ø 14mm

Flange

1 = See previous page
 6 = See previous page
 C = See previous page

Outputs

2 = AB PP11/28V
 3 = AB0 PP11/28V
 N = AB+ \overline{AB} PP11/28V
 P = AB0+ $\overline{AB0}$ PP11/28V
 B = AB OC11/28V
 C = AB0 OC11/28V
 G = AB NPN 11/28V
 H = AB0 NPN 11/28V
 5 = AB+ \overline{AB} LD5V
 6 = AB0+ $\overline{AB0}$ LD5V
 8 = AB+ \overline{AB} LD5/12V
 9 = AB0+ $\overline{AB0}$ LD5/12V
 S = AB+ \overline{AB} LD15/24V(out 12V - 20mA channel)
 T = AB0+ $\overline{AB0}$ LD15/24V(out 12V - 20mA channel)
 K = AB0+ $\overline{AB0}$ LD15/24 (out 5V - 20mA channel)

Connections

1 = 9415 Radial
 3 = Cable Radial
 2 = 9414 Radial

Options

0 = None
 Z = Synchronised zero pulse to 180° only for Line Driver
 W = Synchronised zero pulse to 90° only for Line Driver
 H = Connector 9415 With pins compatible with other Hohner models
 Y = Power supply 5/12V for output NPN/OC/PP

Connections

	-	+	A	B	\overline{A}	\overline{B}	0	$\overline{0}$
Cable 5 Way	White	Brown	Green	Yellow			Gray	
Cable 8 Way	Black	Blue	Brown	Beige	Green	Yellow	Pink	Violet
Connector 9414	Pin1	Pin2	Pin3	Pin4			Pin5	
Connector 9415	Pin1	Pin2	Pin3	Pin4	Pin6	Pin7	Pin5	Pin8
Connector 9415 option H	Pin1	Pin2	Pin3	Pin4	Pin5	Pin6	Pin7	Pin8