

# Series BS

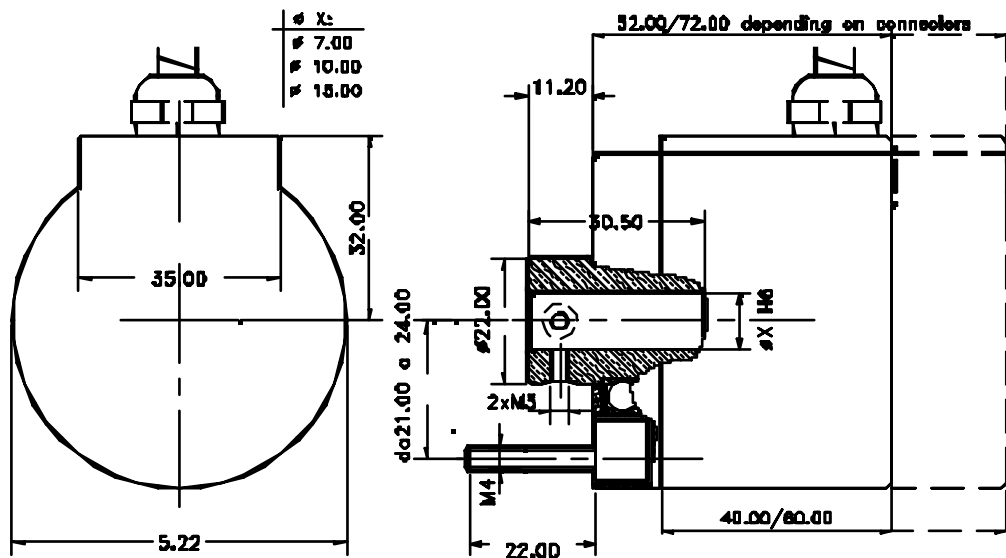
## Incremental semi-hollow shaft encoder

### *Mechanics Data*

Cover:	Lacquered aluminium
Body:	Aluminium
Solid shaft:	Stainless steel
Bearings:	2, ballraces
Weight:	Approx.300gr.
Protection:	IP54 (IP65 on request, Max 3000RPM)
Rpm:	6000 Max
Torque:	5Ncm
Inertia:	100gm <sup>2</sup>
Shaft loading:	Axial 50N - Radial 50N (the value decrease when the number of pulses increase)

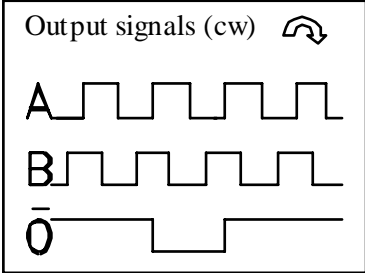


Dimensions in mm.



# Series BS

## Electronics Data



Power supply: from 5 to 24V depends on the electronics circuit  
 Current consumption: 40/80mA depends on the electronics circuit  
 Permissible load: 40mA  
 Frequency: 100KHz  
 Protections: Against short circuit, reversal polarity  
 Operating Temp.: -20/+60°C

### Ordering code

Series **B S** - \* \* \* \* / **Pulses** (Max 3.600)  
 See page 4

Shaft	Output	Connections	Options
7 = Ø 7 mm	2 = AB <sub>—</sub> PP11/28V	2 = 9414 Radial	0 = None
0 = Ø 10mm	3 = AB0 <sub>—</sub> PP11/28V	0 = 9414 Axial	1 = High zero pulse
2 = Ø 12mm	N = AB+AB <sub>—</sub> PP11/28V	3 = Cable Radial	Z = Synchronised zero Pulse to 180° only
4 = Ø 14mm	P = AB0+AB0 <sub>—</sub> PP11/28V	9 = Cable Axial	for Line Driver
1 = Ø 15mm	B = AB <sub>—</sub> OC11/28V	4 = 9418 Radial	W = Synchronised zero Pulse to 90° only
	C = AB0 <sub>—</sub> OC11/28V	6 = 9418 Axial	for Line Driver
	G = AB <sub>—</sub> NPN 11/28V	5 = 9416 Radial	A = Special connections
	H = AB0 <sub>—</sub> NPN 11/28V	E = 9416 Axial	Y = Power supply 5/12V for output NPN/OC/PP
	5 = AB+AB <sub>—</sub> LD5V	7 = 9419 Radial	
	6 = AB0+AB0 <sub>—</sub> LD5V	8 = 9419 Axial	
	8 = AB+AB <sub>—</sub> LD5/12V	B = 9415 Radial	
	9 = AB0+AB0 <sub>—</sub> LD5/12V	A = 9415 Axial	
	S = AB+AB <sub>—</sub> LD15/24V (out 12V)	N = 9413 Axial	
	T = AB0+AB0 <sub>—</sub> LD15/24V (out 12V)		
	K = AB0+AB0 <sub>—</sub> LD15/24 (out 5V)		

### Connections

	0 Volt	+ Volt	A	B	A <sub>—</sub>	B <sub>—</sub>	0	0 <sub>—</sub>
<b>Cable 5 Way</b>	White	Brown	Green	Yellow				Gray
<b>Cable 8 Way</b>	Black	Blue	Brown	Beige	Green	Yellow	Pink	Violet
<b>Connector 9414</b>	Pin1	Pin2	Pin3	Pin4				Pin5
<b>Connector 9416-9415-9413</b>	Pin1	Pin2	Pin3	Pin4	Pin5	Pin6	Pin7	Pin8
<b>Connector 9418</b>	PinA	PinB	PinC	PinD	PinE	PinF		PinG
<b>Connector 9419</b>	PinA	PinB	PinC	PinD	PinE	PinF	PinG	PinH