

U22 / 32 / N61.../N62... / H / PW / 2D / PQ / KLV / X

Command and indicating devices

H	Heating	20 Watt 220 or 110V 50/60 Hz	
PV	Mushroom head push button latching	22 latching with indicating label	1 NC
P	Mushroom head push button	22 with indicating label	1 NO
D	Push button	22 with indicating label	1 NO
W	Selector switch 0--1	22 with indicating label	1 NO
L	Indicator light	22 with indicating label	Diode 24 Volt
L	Indicator light	22 with indicating label	Diode 230 Volt AC
	Contact block additional		1 S or 1 Ö
L	Indicator light	22 with indicating label	Diode 24 Volt protection IP65
L	Indicator light	10 with indicating label	Diode 24 Volt protection IP65

Display devices

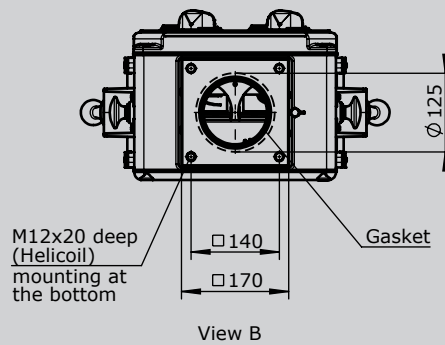
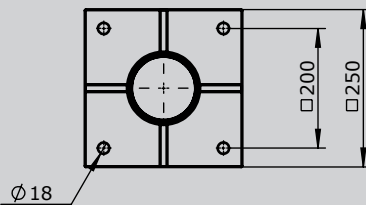
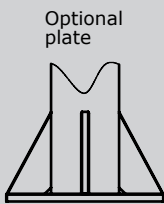
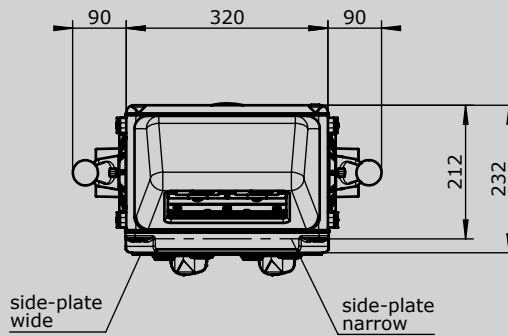
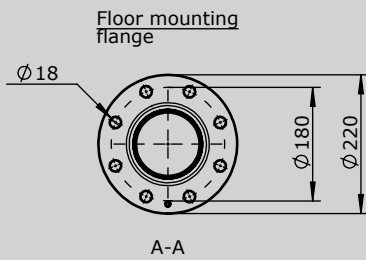
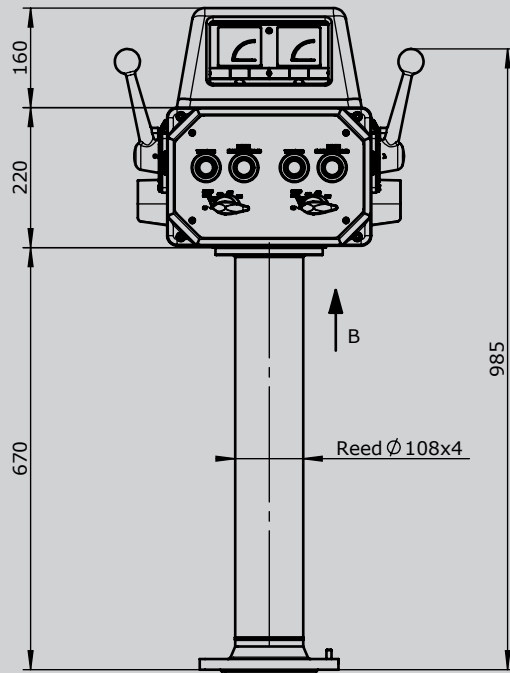
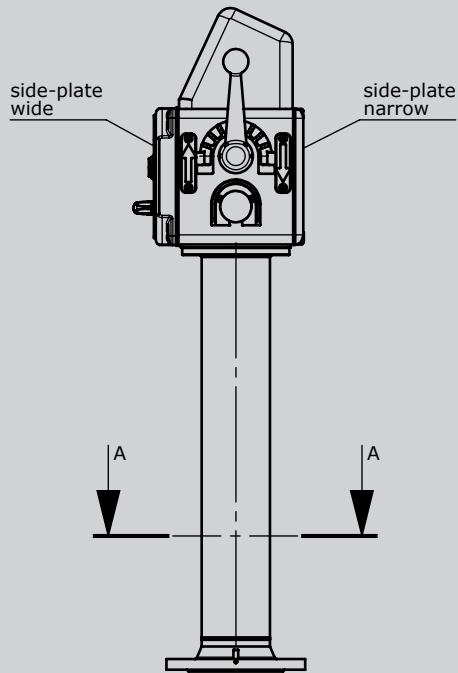
PQ	Powermeter PQ 72 1mA DC	Engraved your instructions
PQI	Powermeter PQ 72 1mA DC illuminated 24 Volt	Engraved your instructions
PQ	Powermeter PQ 72x36 1mA DC	Engraved your instructions
PQI	Powermeter PQ 72x36 1mA DC illuminated 24 Volt	Engraved your instructions
EQ	Amperemeter EQ 72 100/200/1A	Engraved your instructions
EQI	Amperemeter EQ 72 100/200/1A illuminated 24 Volt	Engraved your instructions
EQ	Amperemeter EQ 72x36 100/200/1A	Engraved your instructions
EQI	Amperemeter EQ 72x36 100/200/1A illuminated 24 Volt	Engraved your instructions

Wiring

KLV on terminal block 2,5qmm with wire line 0,75qmm

Special model

X Special / customer-specific



3