

Pedal-controller P10/P11/P12



The pedal-controller P10/P11/P12 is a rugged switching device for electro-hydraulic. The modular design enables the switching device to be used universally. The P10/P11/P12 is resistant to oil, maritime, climate, ozone and UV radiation.

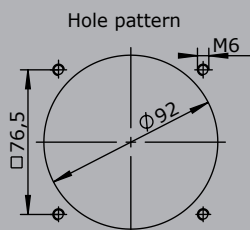
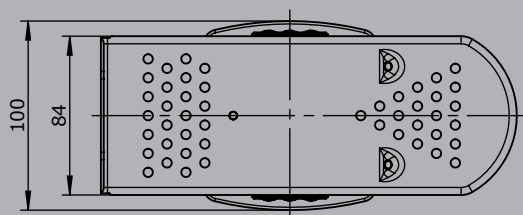
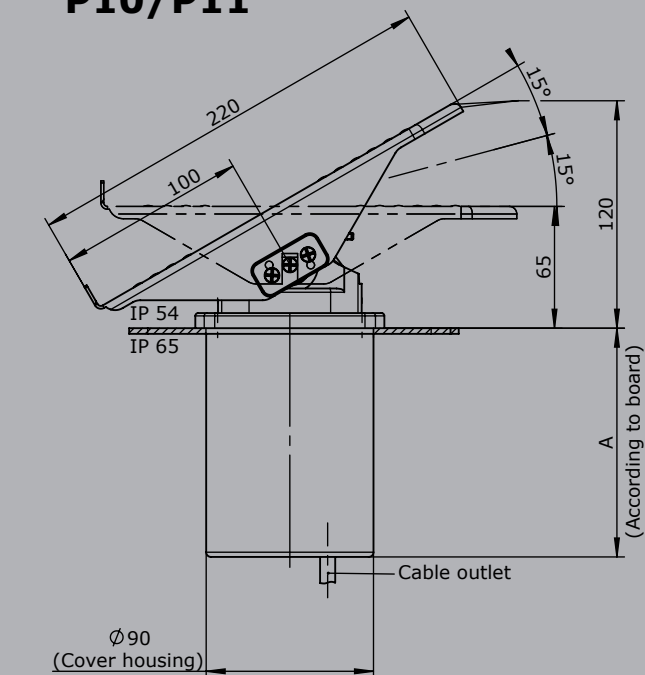
Technical data

Mechanical life P10	8 million operating cycles
Operation temperature	-40°C til +60°C
Degree of protection P10	IP54



		Example						
		P10	- 1 Z	P	- A01	P224	- B	- X
Basic unit								
P10	Pedal-controller, 0-30°							
P11	Pedal-controller, 15°-0-15°							
P12	Pedal-controller, 0-15°							
Detent								
	without							
R4	1-0-1							
Direction 1-2								
1	1 contact	Standard contact - arrangement see page 112						
2	2 contacts	z.B.						
3	3 contacts	MS11	A01					
		MS12	A02					
		MS13	A03					
		MS21	A05					
		<i>A99 contact - arrangement according customer request</i>						
Z	Spring return							
R	Friction brake							
(P)	Possibility of mounting potentiometer (Gessmann-types)							
P	Potentiometer	P222	T362	1kOhm	I max. 1mA			
		P223	T362	2kOhm	I max. 1mA			
		P224	T362	5kOhm	I max. 1mA			
		<i>More potentiometer on request!</i>						
Cover housing								
B	Cover housing with cable entry M20							
Special model								
X	Special / customer-specific							

P10/P11



P12

