

Naval cruise controller AZ1

The naval cruise controller AZ1 is a rugged switching device.
The modular design enables the switching device to be used universally.

The design includes:

The mechanical control-system for the engine speed 0-max. rpm. switching angle 60 degrees with pressure print at 7 degrees and friction brake direction 0-2.
The mechanical control-system for the steering left/right direction 13-14, 360 degrees with pressure points 4x90 degrees and friction brake.

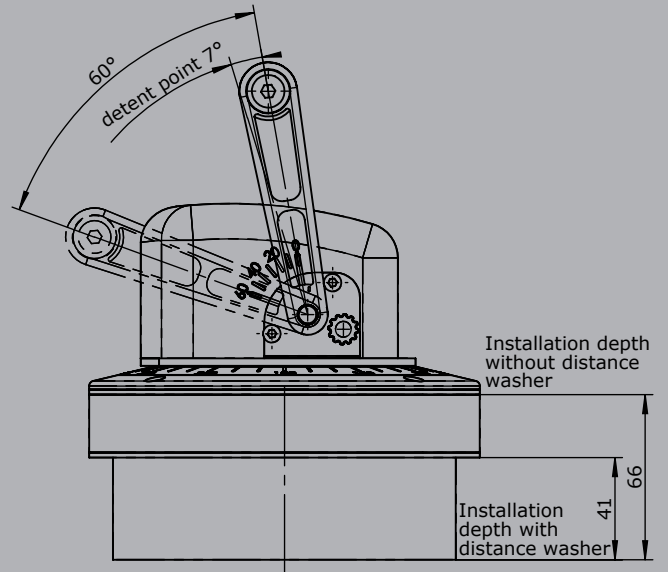
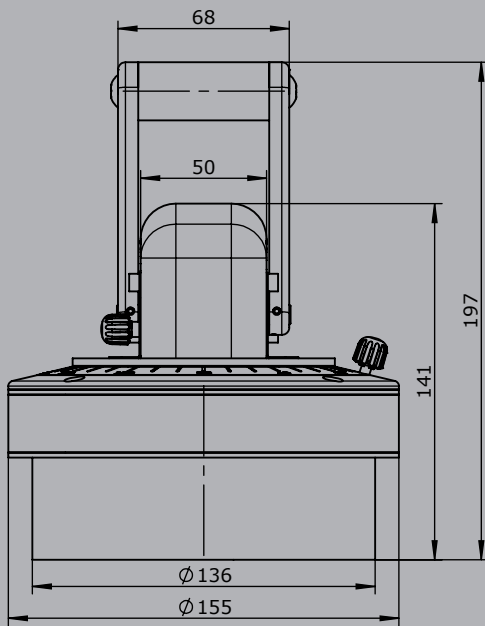
The AZ1 is resistant to oil, maritime climate, ozone and UV radiation.



Technical data

Mechanical life AZ 1	12 million operating cycles
Operation temperature	-40°C til +60°C
Degree of protection	IP66

	AZ1	- L	- N	E2112	- X
Basic unit	AZ1 Naval cruise controller				
Options	L Scale illuminated (LED) 24V dimmable				
	N Follow-up control system 24 Volt DC for direction 0-2 and 13-14				
Interface					
Voltage output (not stabilized)					
Supply voltage 4,75-5,25V DC					
	Characteristic: 1= contra rotating, 2= concurrently rotating				
0,5...2,5...4,5V redundant per axis		1 axis		E103 1	
		2 axis		2	
Voltage output					
Supply voltage 9-32V DC (*11,5-32V DC)					
	Characteristic: 1= contra rotating, 2= concurrently rotating				
0,5...2,5...4,5V redundant per axis		1 axis		E111 1	
		2 axis		2	
Output power					
Supply voltage 9-32V DC					
	Characteristic: 1= contra rotating, 2= concurrently rotating				
4...12...20mA redundant per axis		1 axis		E211 1	
		2 axis		2	
Special model					
X Special / customer-specific					



Edition:
with motor rosetting control system

