



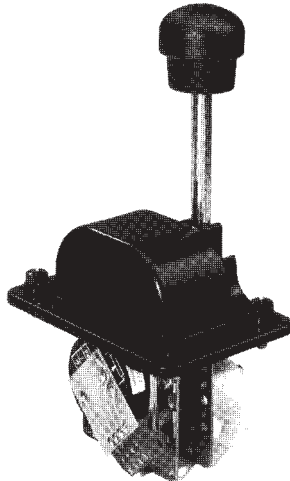
GESSMANN

Elektro-Trading sp. z o.o.
tel. (032) 734-55-72
et@elektro-trading.com.pl

Single-axis controller S 23

1/208

2002



The single-axis controller S 23 is a rugged switching device according IEC 947-5-1 EN 60947 DIN VDE 0660-200 for electro-hydraulic applications and offshore. The modular design enables the switching device to be used universally. The S 23 is resistant to oil, maritime climate ozone and UV radiation.

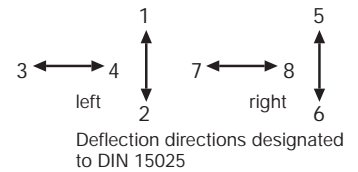
Contact complement 2 A 250 V AC 15 res. 3 A 24 V DC 13

Mechanical life 6 million (operating cycles)
Permissible ambient temperature Operation -40° C to + 60° C
Storage -50° C to + 80° C

Climate resistance
Damp heat constant DIN IEC 68 part 2-3
Damp heat cyclic DIN IEC 68 part 2-30
Degree of protection front IP 65 IEC 529 DIN 40050
Technical data look catalog 5/100

Description data look catalog 5/002

Spindle block with schematic representation of the master controller installation and deflection directions. Version shown for Left-hand side installation (right-hand side installation is mirror image).



Pos.	S 23	Type	Weight gramm	Price EURO	
1		S 23	700		
2					
3					
4					
5					
10	Spring return in 0-position	Z	20		
11		R	20		
12					
13					
14	Friktion brake				
20	Control-handle with knob solid	M	50		
21					Control-handle with latch for mechanical zero interlock
22					
23					
24					
25					
26		Q	40		
27					Control-handle with T-grip
28					
29					
30	Masterswitch switching sequence -0-	No. of contacts 1	1	150	
31		2	2	170	
32		3	3	190	
33		4	4	210	
34		Switching program according contact-arrangement MS... look catalog 5/001			
35		or to your contact-arrangement			
36		Switching sequence 2-0-2			
40	Potentiometer e.t.c. each masterswitch with mounted	P	70		
41	Wire-wound potentiometer T 130, with centre tap linear Life 10 ⁷ switching cycle				
42	resistance 2 x 0,5/1/2/5/10 kOhm, 1,5 Watt wiper current max. 10 mA				
43	Prepared for mounting potentiometer shaft 6 mm adjusting-angle 2 x 150°				
50	Prepared for mounting potentiometer e.t.c. adjusting-angle variable.	(P)			
51	more Potentiometer e.t.c. look catalog 1/240...	(P)			
50	Steel sheet housing B 200 masterswitch Gr. 4	B	1300		
51	More housing look catalog 1/250				
52					
60	Indicating labels not engraved with 2 arrows				
61	Engraved each 10 characters				
62					
70	Command and indicating devices look catalog 1/260				

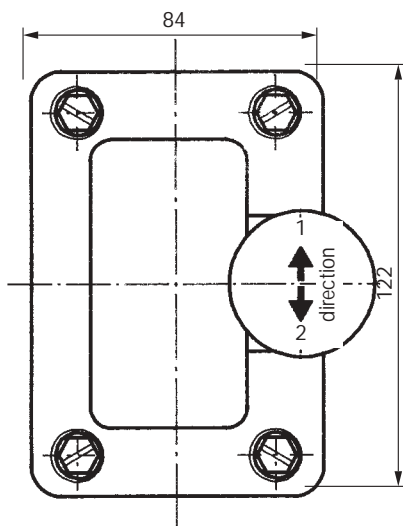
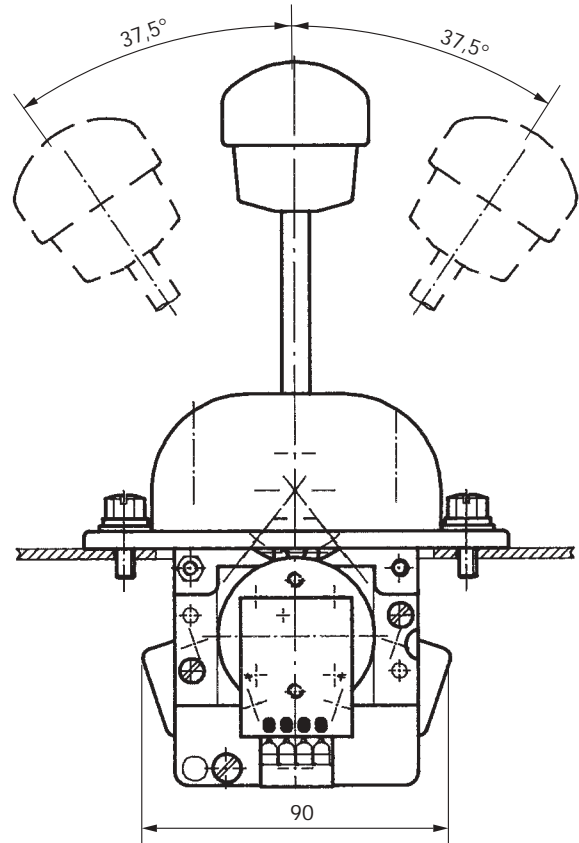
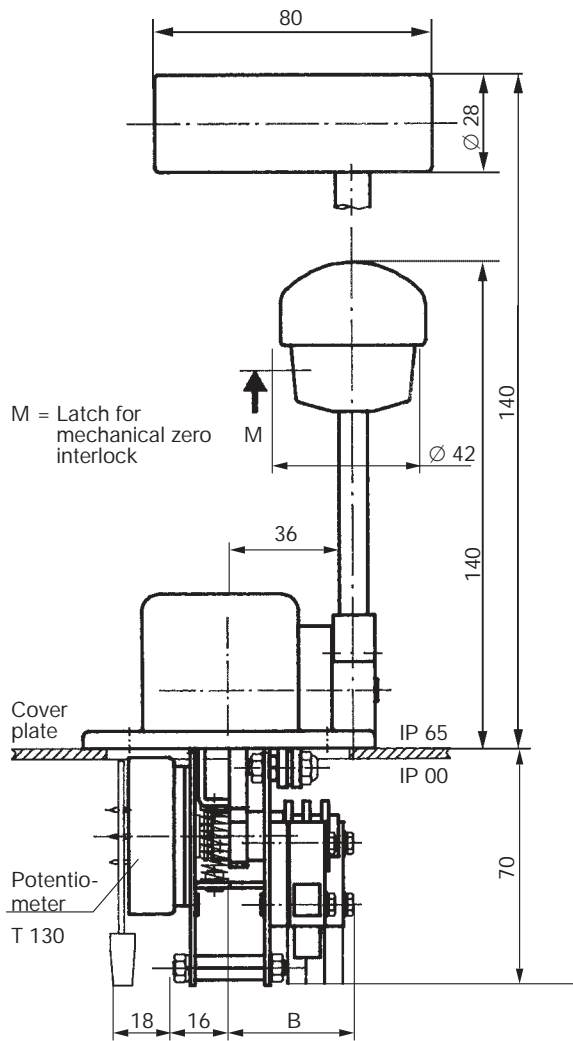


GESSMANN

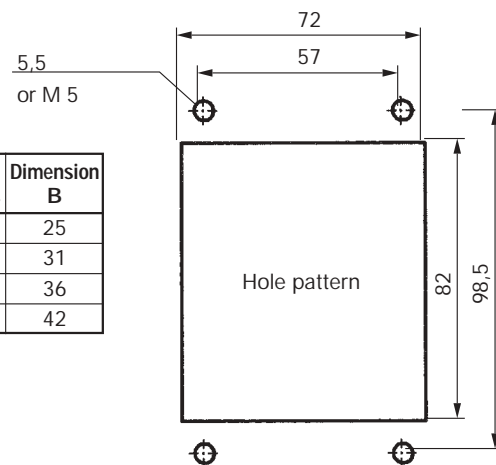
Elektro-Trading sp. z o.o.
tel. (032) 734-55-72
et@elektro-trading.com.pl

Single-axis controller S 23

1/209
2002



Type	No. of contacts	Dimension B
1	1	25
2	2	31
3	3	36
4	4	42



Example for type-sign

Single-axis controller

Dead man's button

Masterswitch direction 1-2

S 23 M - 2 Z P - X



Special please to describe

Potentiometer e.t.c.

Spring return