



GESSMANN

Elektro-Trading sp. z o.o.
tel. (032) 734-55-72
et@elektro-trading.com.pl

Palm grip B 9

1/294
2002



The palm grip B 9 is an actuating element for our multi-axis controller V 8, VV 8, V 6, VV 6, VV 5. It can also be used as an actuating element for hydraulic drives. Push buttons, rocker switches, e.t.c., can also be fitted to suit appropriate requirements. The drives with Potentiometer PA 11/12 and PA 13 realised the direction 11-12 resp. 13-14 (3. resp. 4 axis) on our multi-axis controllers.

The palm grip has a highly flexible single wire 0,1 mm² x 450 mm long.

The mounting piece for the drive rod can be supplied with a tapped hole 12 or 10 mm (standard = 12 mm).

The palm grip B 9 is made of PA plastic and is grey in color.

Contact complement 0,5 A 110 V AC 15 res. 1,5 A 24 V DC 13
I min > 0,2 mA 2 V DC 12 Gold plated for max. load of 0,12 Watt (standard)
or I max < 300 mA 0,4 V DC 12 max. capacity 0,12 Watt do not exceed!
I min > 0,2 mA 2 V DC 12 max. contact reliability for very low current (special)

Permissible ambient temperature Operating -40°C to +60°C
Storage -50°C to +80°C

Climate resistance
Damp heat constant DIN IEC 68 part 2-3
Damp heat cyclic DIN IEC 68 part 2-30
Degree of protection front IP 65 IEC 529 DIN 40050

Pos.		Type	Weight gramm	Price EURO
1	Palm grip with mounting piece for control-handle	B 9	230	
2	Push button 1 NO installed Pos. 1, 2, 3, 4, 5, 6	D	20	
3	Cross switch tast-0-tast T-0-T / T-0-T 4 NO	KT	60	
5	Cross switch rest-0-rest R-0-R / R-0-R 4 NO	KR	60	
6				
10				
11	Drive with potentiometer PA 11 actuating by rocker wheel with spring return in the centre position 1 conductive-plastic-potentiometer T 394 with centre tap Linear 10 ⁷ switching cycles resistance 2 x 5 kOhm 0,5 Watt wiper-current max. 1 mA 2 directions-contacts	PA 11	90	
13	Drive with Potentiometer PA 13 actuating by rotating palm grip left resp. right with spring return in the centre position 1 conductive-plastic-potentiometer T 375 with centre tap Linear 10 ⁷ switching cycles resistance 2 x 5 kOhm 0,5 Watt wiper current max. 1 mA 2 direction-contacts	PA 13	90	
30	Bellow for palm grip B9 drawing No. KMD 109			
31	Front plate with 4 screws M5 x 15 (for mounting the bellow) drawing No. KBF required for multi-axis controller V 6, VV 6, VV 5			
32				
33				



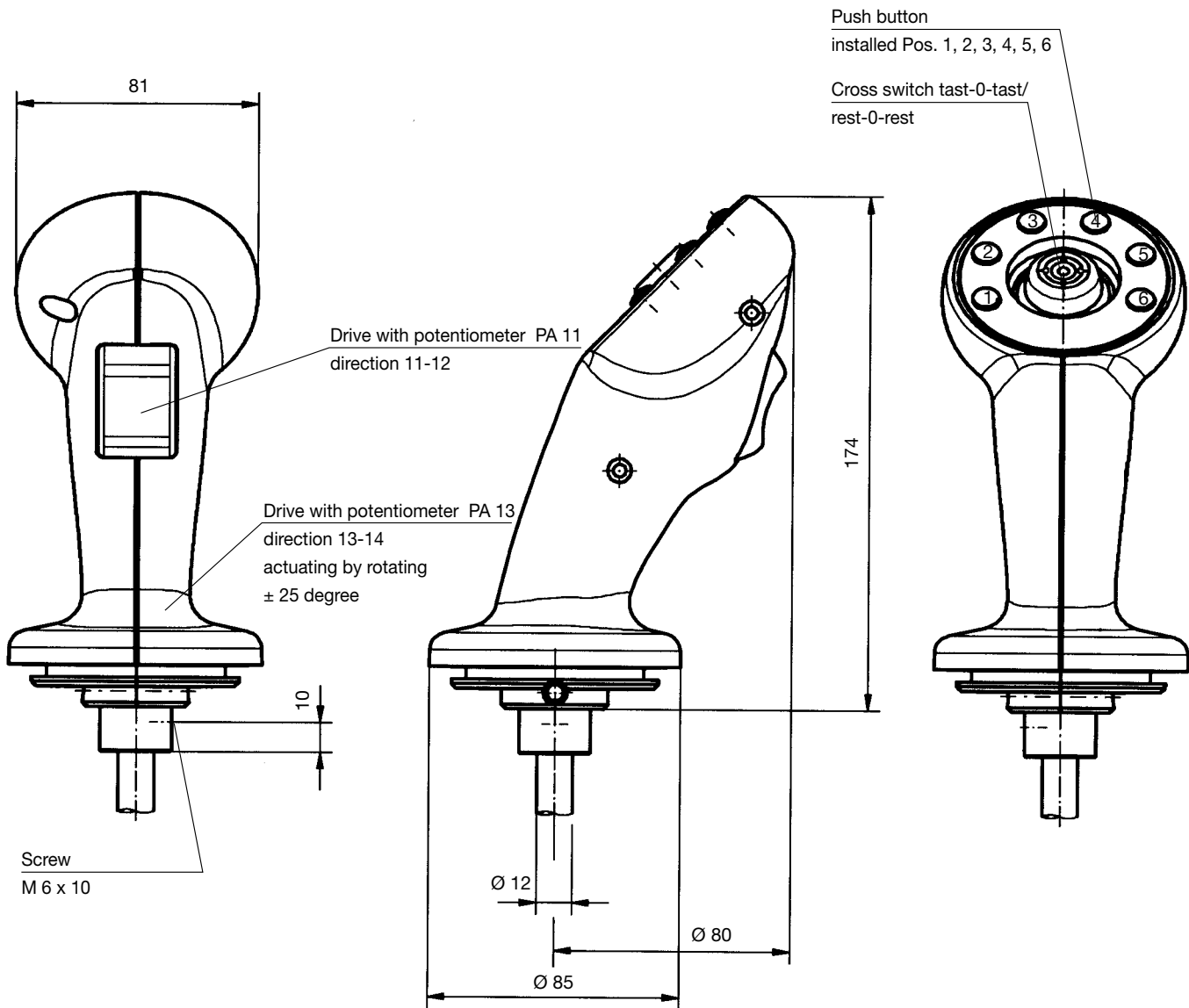
GESSMANN

Elektro-Trading sp. z o.o.
tel. (032) 734-55-72
et@elektro-trading.com.pl

Palm grip B 9

1/295

2002



Example for type-sign

B 9 D KT PA 11 PA 13 - X

Palm grip
Push button
Cross switch



Special please to describe
Drive with potentiometer PA 13
Drive with potentiometer PA 11