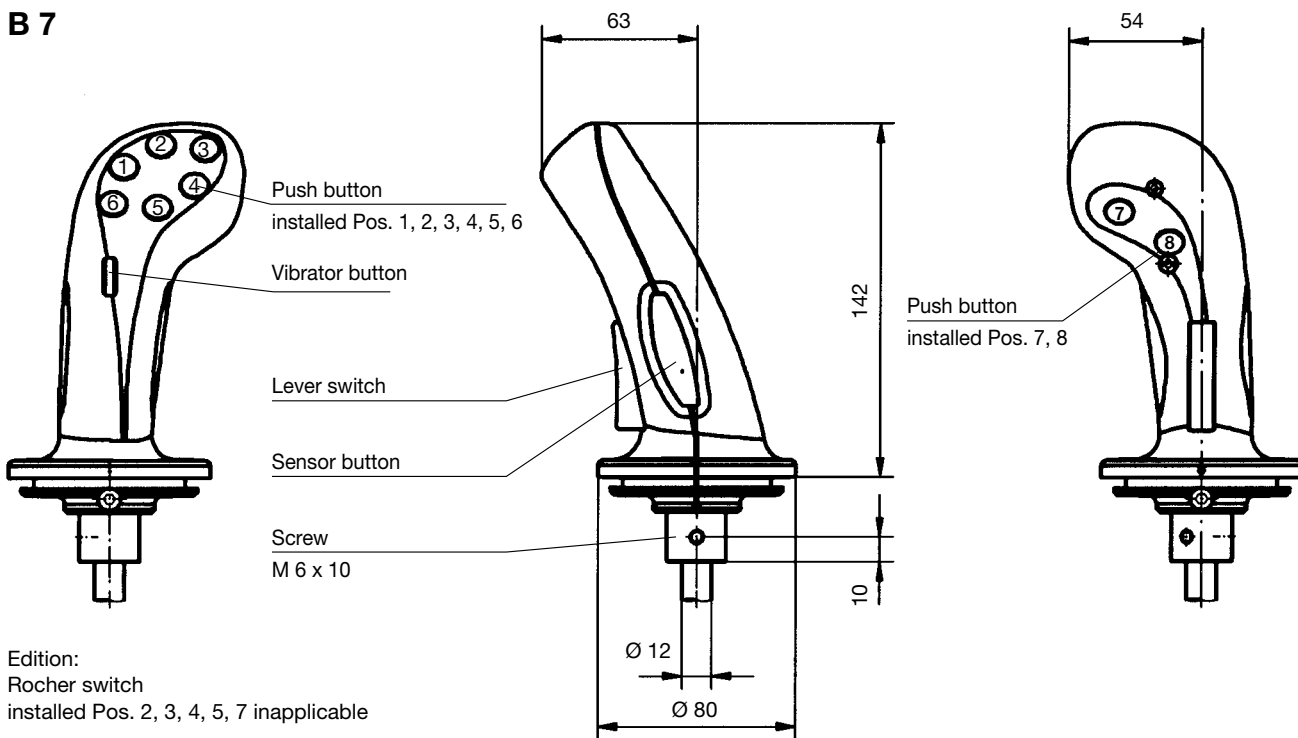


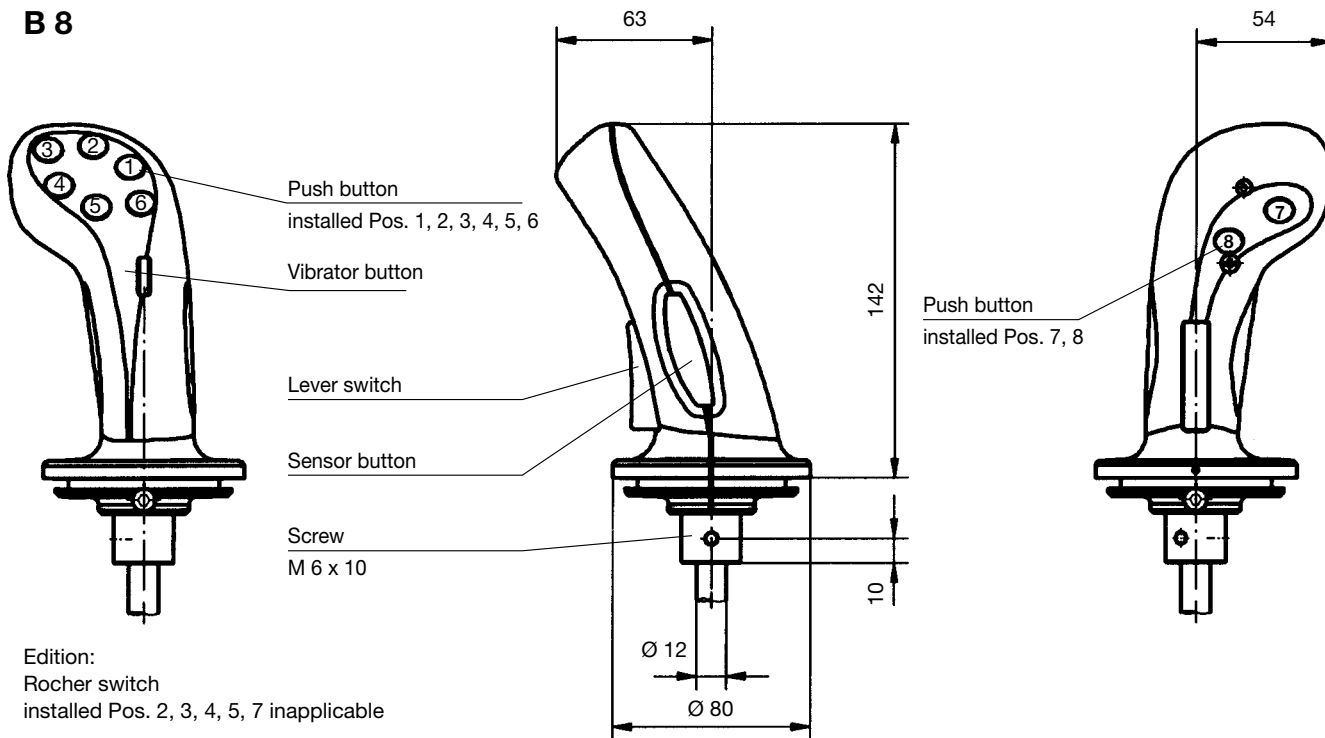


B 7



Edition:
 Rocher switch
 installed Pos. 2, 3, 4, 5, 7 inapplicable

B 8



Edition:
 Rocher switch
 installed Pos. 2, 3, 4, 5, 7 inapplicable

Example for type-sign

B 7 D K V SE - X

Palm grip
 Push button
 Lever switch



Special please to describe
 Sensor button
 Vibrator button