



GESSMANN

Elektro-Trading sp. z o.o.
tel. (032) 734-55-72
et@elektro-trading.com.pl

Palm grip B 3

1/286

2002



The palm grip B 3 is an actuating element for our multi-axis controller V 8, VV 8, V 6, VV 6, VV 5. It can also be used as an actuating element for hydraulic drives.
Push buttons, rocker switches, e.t.c., can also be fitted to suit appropriate requirements.
The drives with Potentiometer PA 11/12 and PA 13 realised the direction 11-12 resp. 13-14 (3. resp. 4 axis) on our multi-axis controllers.

The palm grip has a highly flexible single wire 0,1 mm² x 450 mm long.

The mounting piece for the drive rod can be supplied with a tapped hole 12 or 10 mm (standard = 12 mm).

The palm grip B 3 is made of PPO plastic and is black in color.

Contact complement 0,5 A 110 V AC 15 res. 1,5 A 24 V DC 13
I min > 0,2 mA 2 V DC 12 Gold plated for max. load of 0,12 Watt (standard)
or I max < 300 mA 0,4 V DC 12 max. capacity 0,12 Watt do not exceed!
I min > 0,2 mA 2 V DC 12 max. contact reliability for very low current (special)

Permissible ambient temperature Operating -40°C to +60°C
Storage -50°C to +80°C

Climate resistance
Damp heat constant DIN IEC 68 part 2-3
Damp heat cyclic DIN IEC 68 part 2-30
Degree of protection front IP 65 IEC 529 DIN 40050

Pos.		Type	Weight gramm	Price EURO
1	Palm grip with mounting piece for control-handle	B 3	200	
2	Push button 1 NO	D	20	
3	Rocker switch tast-0-tast T-0-T 2 NO	W	30	
4	Rocker switch tast-0-rest T-0-R 2 NO	W	30	
5	Rocker switch rest-0-rest R-0-R 2 NO	W	30	
6	Lever switch 1 NO	K	30	
7	Sliding switch tast-0-tast T-0-T 2 NO	ST	40	
8	Sliding switch rest-0-rest R-0-R 2 NO	SR	40	
9	Push button with 2 steps Latch for mechanical zero interlock 4 contacts arrangement MS 212 look catalog 5/001	ZD	90	
10				
11	Drive with potentiometer PA 11 actuating by rocker wheel installed Pos. left or right with spring return in the centre position 1 conductive-plastic-potentiometer T 375 with centre tap Linear 10 ⁷ switching cycles resistance 2 x 5 kOhm 0,5 Watt wiper-current max. 1 mA 2 directions-contacts	PA 11	90	
12	Drive with Potentiometer PA 12 actuating by push button (details exactly PA 11) installed Pos. 11 + 12	PA 12	90	
13	Drive with Potentiometer PA 13 actuating by rotating palm grip left resp. right with spring return in the centre position 1 conductive-plastic-potentiometer T 375 with centre tap Linear 10 ⁷ switching cycles resistance 2 x 5 kOhm 0,5 Watt wiper current max. 1 mA 2 direction-contacts	PA 13	90	
15	Drive with Potentiometer PA 15 actuating by lever switch with spring return in 0-position 1 conductive-plastic potentiometer T 375 Linear 10 ⁷ switching cycles resistance 5 kOhm 0,5 Watt wiper current max. 1 mA 1 direction-contact	PA 15	90	
20	Vibrator button actuating through solenoid 24 V DC impulse signal 100% duty cycle factor	V	60	
21	Sensor button and res. or annexed with a regulator electronic board EY / 42-10 or -11 24 V DC (separate)	SE	20	
22				
23				
30	Bellow for palm grip B3 drawing No. KMD 109			
31	Front plate with 4 screws M5 x 15 (for mounting the bellow) drawing No. KBF 321 required for multi-axis controller V 6, VV 6, VV 5			
32				
33				

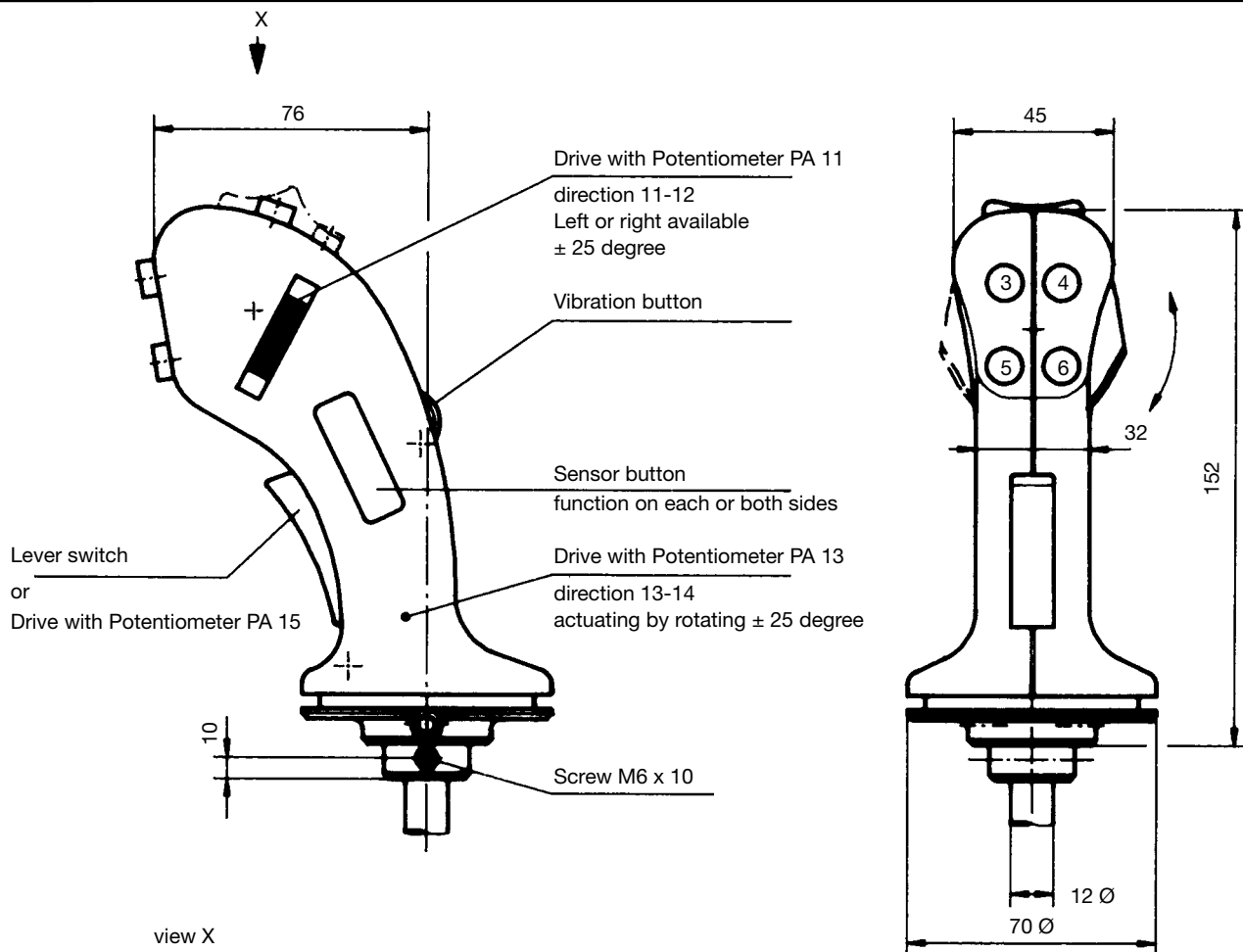
**GESSMANN**

Elektro-Trading sp. z o.o.
 tel. (032) 734-55-72
 et@elektro-trading.com.pl

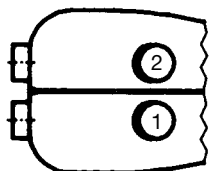
Palm grip B 3

1/287

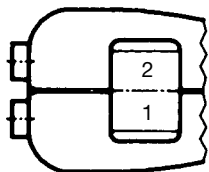
2002



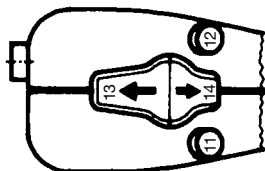
view X



Edition:
 push button



Edition:
 Rocker switch
 (installed Pos. 3, 4 inapplicable)

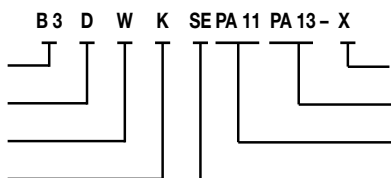


Edition:
 Sliding switch installed Pos. 13, 14
 installed Pos. 1, 2, 4, 6 inapplicable
 Drive with Potentiometer PA 12 direction 11 - 12 installed Pos. 11, 12
 PA 11 inapplicable
 Pushbutton with 2 steps ZD installed Pos. 11 - 12
 PA 11, 12 inapplicable

Edition:
 Vibrator button only one
 Drive with Potentiometer PA 13 version
 Drive with Potentiometer PA 15 possible

Example for type-sign

- Palm grip
- Push button
- Rocker switch
- Lever switch



- Special please to describe
- Drive with Potentiometer PA 13
- Drive with Potentiometer PA 11
- Sensor button