

Palm grip B29



The palm grip B29 has different equipment options for many requirements. It is compatible with our multi-axis and single-axis controller or mounted on hydraulic drives. The palm grip has a highly flexible single wire (0,1qmm, 450mm long). The mounting piece for the drive rod can be supplied with a tapped hole 12mm (standard) or 10mm.

Technical data

Operating temperature	-40°C til +60°C
Degree of protection	IP65
Contact complement	0,1A 24V DC13



2

Example

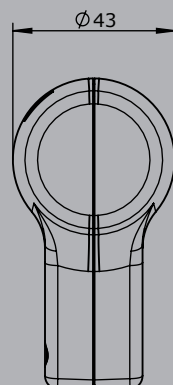
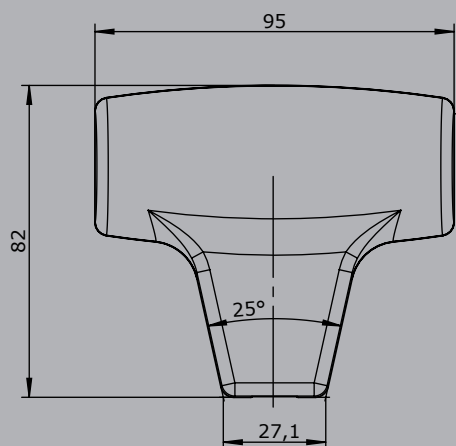
B29

- 2D

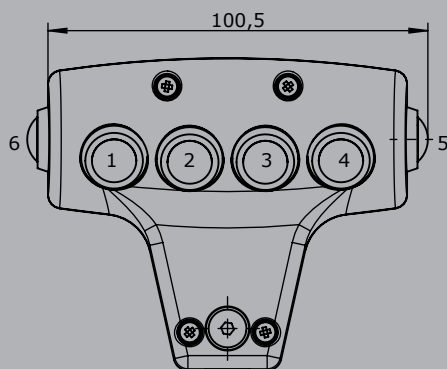
- X

	B29	- 2D	- X
Basic unit			
B29 Palm grip			
Digital actuating element			
D Push button KDA21 Colour: red, black, yellow, green, blue, white, orange			
SE Sensor button capacitiv with external control electronics			
S Sensor button capacitiv without external control electronics (consistent with V85/VV85 and V25 with interface E4xx+E5xx)			
Special model			
X Special / customer-specific			

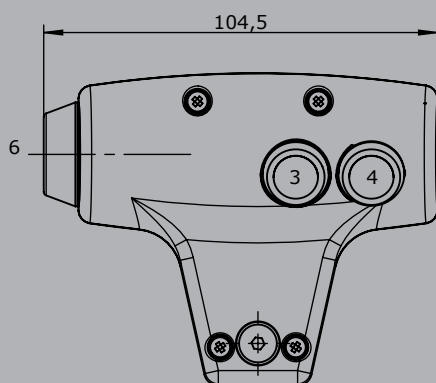
B29



Edition:
Push button installed Pos. 1-6



Edition:
Sensor installed Pos. 6,
Push button installed Pos. 3,4



Edition:
Sensor installed Pos. 5,
Push button installed Pos. 1,2

