

Palm grip B28



The palm grip B28 has different equipment options for many requirements. It is compatible with our multi-axis and single-axis controller or mounted on hydraulic drives. The palm grip has a highly flexible single wire (0,1qmm, 450mm long). The mounting piece for the drive rod can be supplied with a tapped hole 10mm (standard).

Technical data

Operating temperature	-40°C til +60°C
Degree of protection	IP54



2

Example

B28

- 2D

SE

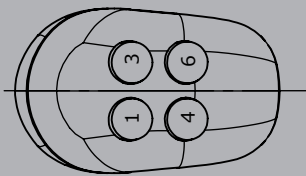
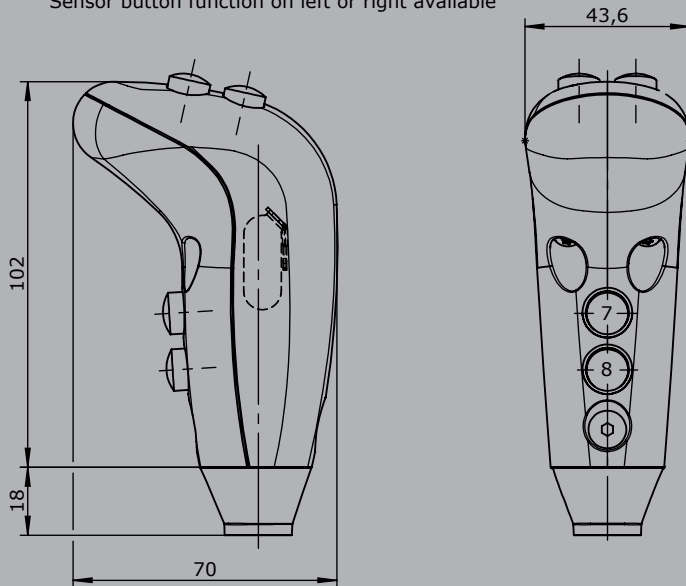
- X

	B28	- 2D	SE	- X
Basic unit	[Shaded]			
B28 Palm grip	[Shaded]			
Digital actuating element	[Shaded]			
D Push button (1,5A 24V DC13) Colour: red, black, yellow, green, blue, grey	[Shaded]			
SE Sensor button capacitiv with external control electronics	[Shaded]			
S Sensor button capacitiv without external control electronics (consistent with V85/VV85 and V25 with interface E4xx+E5xx)	[Shaded]			
Special model	[Shaded]			
X Special / customer-specific	[Shaded]			

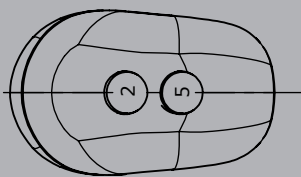
Palm grip

B28

Edition:
Push button installed
Pos. 1,3,4,6,7,8
Sensor button function on left or right available



Edition:
Push button installed
Pos. 2,5,7,8
Sensor button function on left or right available



Edition:
Push button installed
Pos. 7,8,9,10
Sensor button function on left or right available

