

Palm grip B24



The palm grip B24 has different equipment options for many requirements. It is compatible with our multi-axis controller or mounted on hydraulic drives. The superior grip surface is framed by an illuminated colored ring element. The palm grip has a highly flexible single wire (0,1qmm, 450mm long). The mounting piece for the drive rod can be supplied with a tapped hole 12mm (standard) or 10mm.

Technical data

Operating temperature	-40°C til +60°C
Degree of protection	IP54
Contact complement	1,5A 24V DC13 (*1 0,1A 24V DC13)

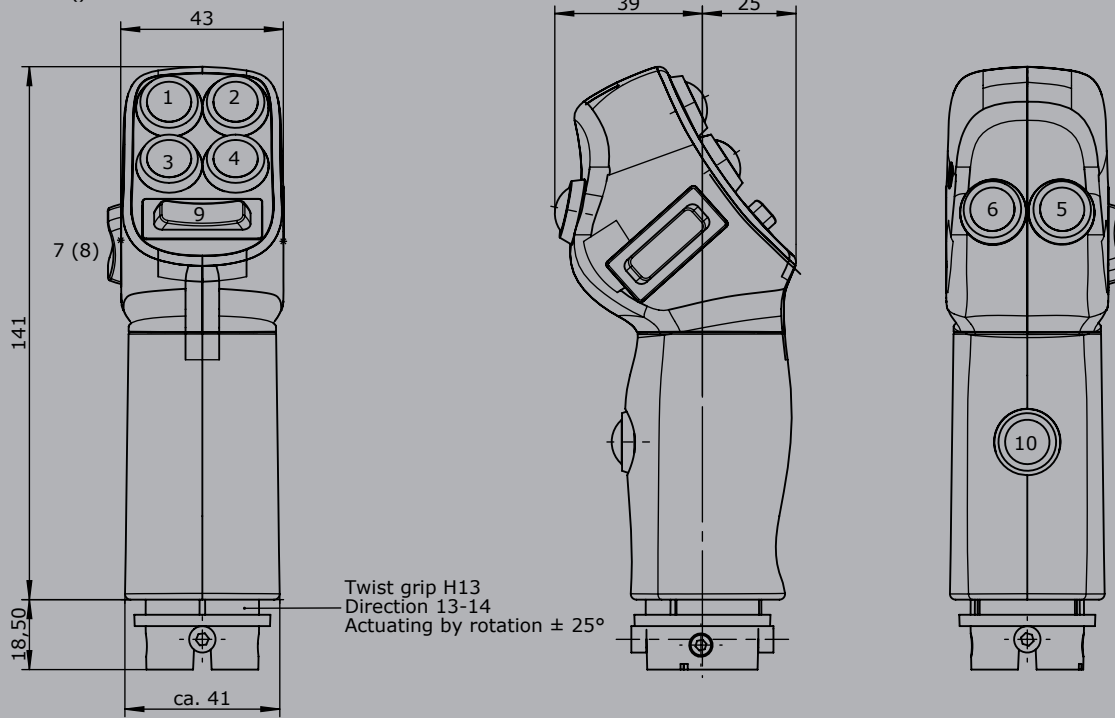


2

		B24	- D	2W	V21	- IWH	- X
Basic unit							
B24	Palm grip						
Digital actuating element							
D	Push button KDA21 *1 Colour: red, black, yellow, green, blue, white, orange						
W	Rocker switch T-0-T						
W	Rocker switch 0-T						
W	Rocker switch R-0-T						
W	Rocker switch R-0-R						
W	Rocker switch 0-R						
W	Rocker switch R-R						
Analog actuating element							
V21	Hall-minijoystick (see page 47) Output 0,5...2,5...4,5V redundant opposite						
H13	Hall-rotary grip Output 0,5...2,5...4,5V redundant opposite						
Additional option							
IWH	Colour ring white, illuminated						
IRD	Colour ring red, illuminated						
IBL	Colour ring blue, illuminated						
WH	Colour ring white						
RD	Colour ring red						
BL	Colour ring blue						
GN	Colour ring green						
YE	Colour ring yellow						
Special model							
X	Special / customer-specific						

Technical details may vary based on configuration or application! Technical data subject to change without notice!

Edition :
Push button installed Pos. 1 - 6, 10
Rocker switch / taste installed Pos. 7,(8), 9
() left



Edition :
Push button installed Pos. 5,6,10
Rocker switch / taste Pos. 7,(8), 9
multi-axis controller V21 Pos. 11
() left

