

Palm grip B23



The palm grip B23 has different equipment options for many requirements. It is compatible with our multi-axis controller or mounted on hydraulic drives. The palm grip has a highly flexible single wire (0,1qmm, 450mm long). The mounting piece for the drive rod can be supplied with a tapped hole 12mm (standard) or 10mm.

Technical data

Operating temperature	-40°C til +60°C
Degree of protection	IP65
Contact complement	1,5A 24V DC13 (*1 0,1A 24V DC13)

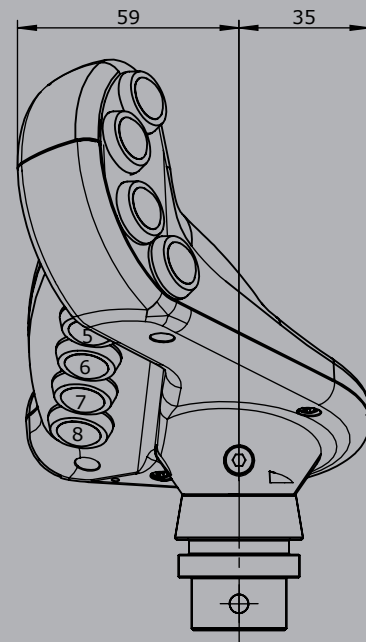
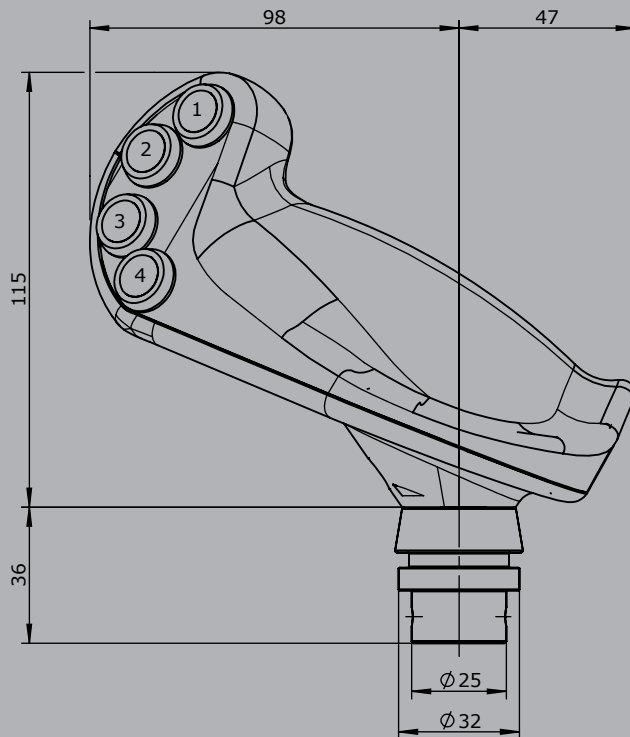


2

	B23R	- 2D	W	V21	- X
Basic unit					
B23L	Palm grip left				
B23R	Palm grip right				
Digital actuating element					
D	Push button KDA21 *1				
	Colour: red, black, yellow, green, blue, white, orange				
W	Rocker switch T-0-T				
W	Rocker switch 0-T				
W	Rocker switch R-0-T				
W	Rocker switch R-0-R				
W	Rocker switch 0-R				
W	Rocker switch R-R				
Analog actuating element					
S9	Hall-Thumb rocker (see page 105)				
	Output 0,5...2,5...4,5V redundant opposite				
V21	Hall-miniyoystick (see page 47)				
	Output 0,5...2,5...4,5V redundant opposite				
Special model					
X	Special / customer-specific				

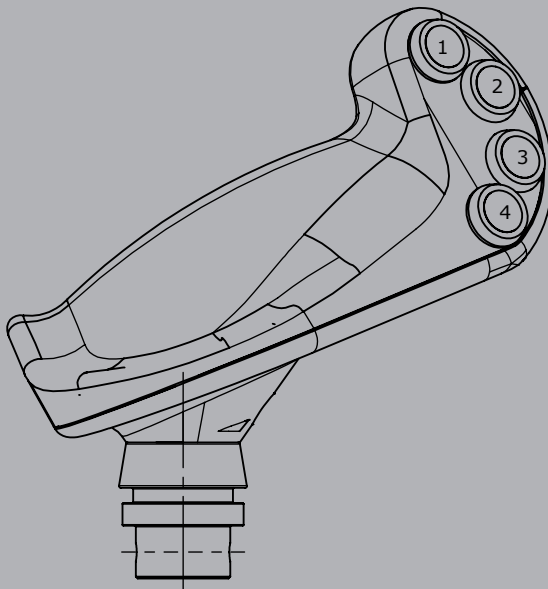
B23R

Push button installed Pos. 1 - 8



B23L

Push button installed Pos. 1 - 8



Edition :
Multi-axis controller V21
Push button installed Pos. 5,6,7,8

