

Palm grip B22



The palm grip B22 has different equipment options for many requirements. It is compatible with our multi-axis controller or mounted on hydraulic drives. The palm grip has a highly flexible single wire (0,1qmm, 450mm long). The mounting piece for the drive rod can be supplied with a tapped hole 7mm.

Technical data

Operating temperature	-40°C til +60°C
Degree of protection	IP65
Contact complement	1,5 24V DC13 (*1 0,1A 24V DC13)

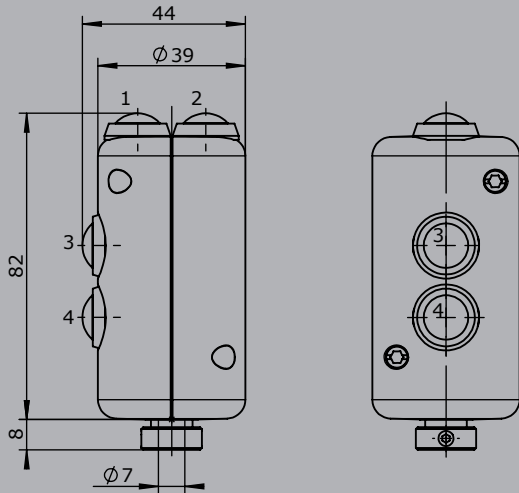


2

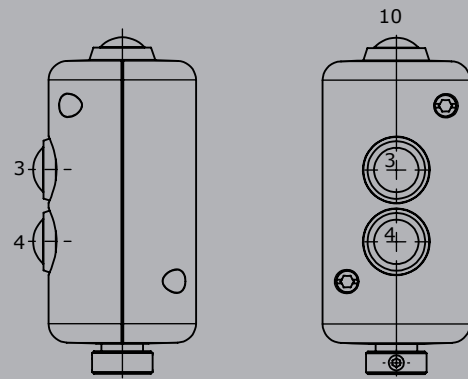
	B22AL	Example - 4D	W	- X
Basic unit				
B22L	Palm grip left			
B22R	Palm grip right			
B22AL	Palm grip left with support			
B22AR	Palm grip right with support			
Digital actuating element				
D	Push button KDA21 *1 Colour: red, black, yellow, green, blue, white, orange			
W*	Rocker switch T-0-T			
W*	Rocker switch 0-T			
W*	Rocker switch R-0-T			
W*	Rocker switch R-0-R			
W*	Rocker switch 0-R			
W*	Rocker switch R-R			
	<i>*Only possible with version with support!</i>			
Special model				
X	Special / customer-specific			

B22

Edition:
Push button installed Pos. 1,2,3,4

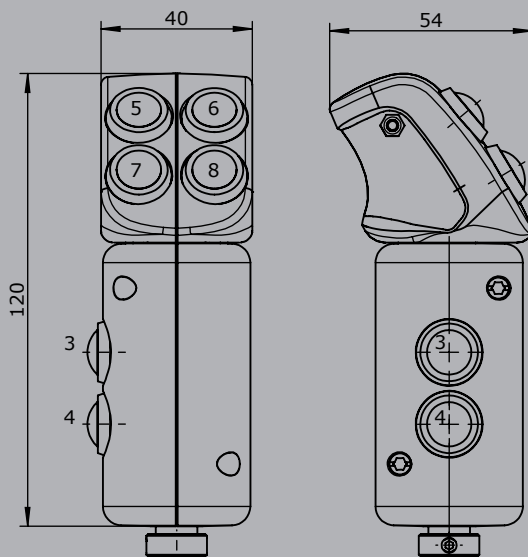


Edition:
Push button installed Pos. 3,4,10



B22A

Edition:
Push button installed Pos. 3,4,5,6,7,8



Edition:
Push button installed Pos. 3,4,5,6,9
Rocker switch installed Pos. 7-8

