

Palm grip B20



The palm grip B20 has different equipment options for many requirements. It is compatible with our multi-axis controller or mounted on hydraulic drives. The palm grip has a highly flexible single wire (0,1qmm, 450mm long). The mounting piece for the drive rod can be supplied with a tapped hole 12mm.

Technical data

Operating temperature	-40°C til +60°C
Degree of protection	IP65
Contact complement	1,5A 24V DC13 (*1 0,1A 24V DC13)



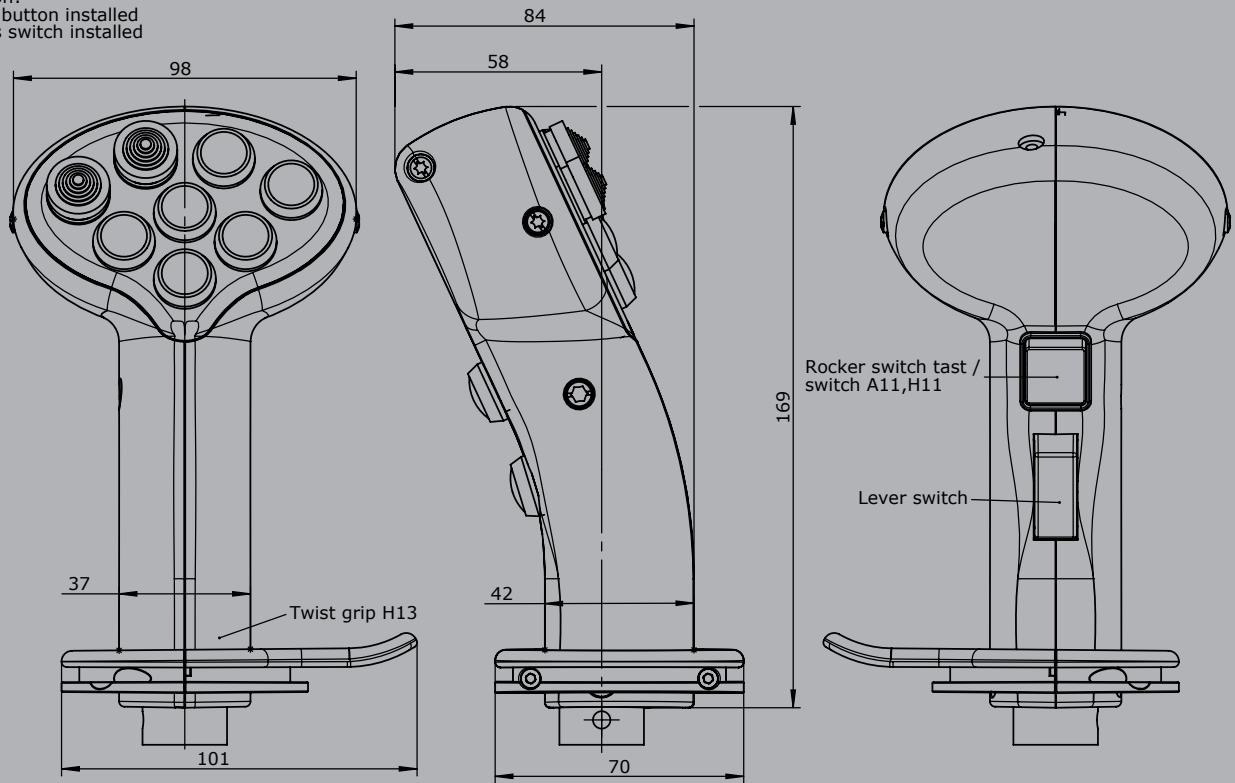
2

	B20L	- 2D	Example W	K	V21	H13	- X
Basic unit							
B20L	Palm grip left with hand pad						
B20R	Palm grip right with hand pad						
Digital actuating element							
D	Push button KDA21 *1						
	Colour: red, black, yellow, green, blue, white, orange						
HD	Hall-push button (see page 126)						
W	Rocker switch T-0-T						
W	Rocker switch 0-T						
W	Rocker switch R-0-T						
W	Rocker switch R-0-R						
W	Rocker switch 0-R						
W	Rocker switch R-R						
K	Lever switch						
KT	Cross switch T-0-T/T-0-T						
V	Vibration						
	Impulse 24V DC ED 100%						
Analog actuating element							
S9	Hall-Thumb rocker (see page 105)						
	Output 0,5...2,5...4,5V redundant opposite						
V21	Hall-minijoystick (see page 47)						
	Output 0,5...2,5...4,5V redundant opposite						
P9	Thumbwheel						
	Potentiometer						
H13	Hall-rotary grip						
	Output 0,5...2,5...4,5V redundant opposite						
Special model							
X	Special / customer-specific						

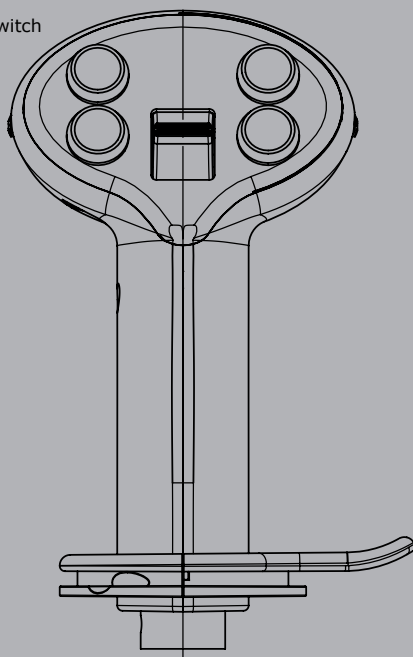
Palm grip

B20

Edition:
Push button installed
Cross switch installed



Edition:
Hall rocker switch
Push button



Edition:
Multi-axis controller V21
Potentiometer drive PA9
Push button

