

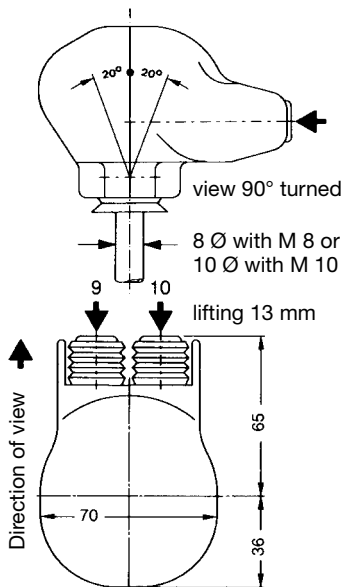


**GESSMANN**

Elektro-Trading sp. z o.o.  
tel. (032) 734-55-72  
et@elektro-trading.com.pl

**Palm grip B 2**

**1/285**  
**2002**



The palm grip B 2 is an actuating element for our multi-axis controller V 8. It can also be used as an actuating element for hydraulic drives. With each of the two push button one direction-contact (micro change over contact) also one potentiometer pushed. These palm-grip realised the 3. direction 9-10 (3. axis) on our multi-axis controller V 8.

The palm grip has a highly flexible cable  
8 x 0,25 mm<sup>2</sup> x 450 mm long.

The mounting piece for the drive rod can be adjusted steplessly up to 20° in all directions.

The palm grip B 2 is made of PPO plastic and is black in color.

**Contact complement 0,5 A 110 V AC 15 res. 1,5 A 24 V DC 13**  
**I min > 0,2 mA 2 V DC 12 Gold plated for max. load of 0,12 Watt (standard)**  
**or I max < 300 mA 0,4 V DC 12 max. capacity 0,12 Watt do not exceed!**  
**I min > 0,2 mA 2 V DC 12 max. contact reliability for very low current (special)**

Permissible ambient temperature	Operating -40°C to +60°C
Climate resistance	Storage -50°C to +80°C
Damp heat constant	DIN IEC 68 part 2-3
Damp heat cyclic	DIN IEC 68 part 2-30
Degree of protection front	IP 54 IEC 529 DIN 40050

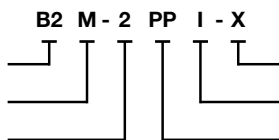
Pos.		Type	Weight gramm	Price EURO
1	Palm grip with mounting piece for control-handle	B 2	200	
2	Latch for mechanical interlock for the push buttons	M	30	
3	2 direction-contacts	2	30	
4	2 wire wound potentiometer T 239 linear Life 5 x 10 <sup>6</sup> switching cycles resistance 1,2,5 kOhm 1 Watt wiper current max. 10 mA	PP	60	
5	2 conductive-plastic potentiometer T 301 linear life 10 <sup>7</sup> switching cycles resistance 1,2,5 kOhm 0,5 Watt wiper current max. 1 mA	PP	50	
6	more potentiometer e.t.c. look catalog 1/240...			
10	(Impedance converter) input ± 15 Volt, output ± 10 V / 5 mA	I	50	
22	Cable 8 x 0,25 mm <sup>2</sup> x 450 mm long wired included Pos. 1-10 Additional price per metre cable 8-pole			

**Example for type-sign**

**Palm grip**

**Mechanical interlock**

**No. of contacts**



**Special please to describe**

**Impedance converter**

**Potentiometer e.t.c.**