



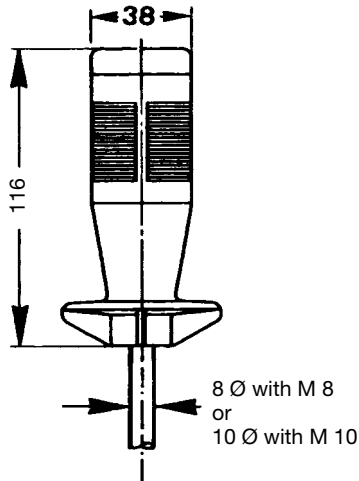
GESSMANN

Elektro-Trading sp. z o.o.
tel. (032) 734-55-72
et@elektro-trading.com.pl

Palm grip B 1

1/284

2002



The palm grip B 1 is an actuating element for our multi-axis and single axis controller. It can also be used as an actuating element with hydraulic drives. Pushbuttons, rocker switches, e.t.c., can also be fitted to suit appropriate requirements. These devices have micro changeover contacts.

The palm grip has a highly flexible cable 4 (8) x 0,25 mm² x 450 mm long.

The mounting piece for the drive rod can be supplied with a tapped hole M 8 or M 10 (standard = M 10).

The palm grip B 1 is made of PPO plastic and is black in color.

Contact complement 2 A 250 V AC 15 / 3 A 24 V DC 13
or 0,5 A 250 V AC 15 / 1,5 A 24 V DC 13

Permissible ambient temperature Operating -40°C to +60°C
Storage -50°C to +80°C

Climate resistance DIN IEC 68 part 2-3
Damp heat constant DIN IEC 68 part 2-30
Damp heat cyclic IP 54 IEC 529 DIN 40050
Degree of protection front

Pos.				Contact-complement	Drawing No.	Type	Weight gramm	Price EURO
1		Without built in			KBAD / 22	B 1	100	
2		Rocker switch top tast-0-tast	T - O - T	2 change over contacts	KBAD / 46	B 1 W	120	
3		Rocker switch top tast-0-rest	T - O - R	2A 250V AC 15				
4		Rocker switch top rest-0-rest	R - O - R					
5		Rocker switch top tast-0-tast with Push button side	T - O - T	2 change over contacts 2A 250V AC 15 1 change over contact 0,5A 250V AC 15	KBAD / 49	B 1 WD	130	
6		Rocker switch top tast-0-tast with 2 push button side	T - O - T	2 change over contacts 2A 250V AC 15 2 change over contacts 0,5A 250V AC 15	KBAD / 67	B 1 WDD	140	
7		Push button top with mechanical operation		1 change over contact 0,5A 250V AC 15	KBAD / 27 KBAD / 25	B 1 T B 1 D	120 100	
8		Push button top						
9		Push button top with 1 push button side		2 change over contacts 0,5A 250V AC 15 3 change over contacts 0,5A 250V AC 15	KBAD / 47	B 1 DD B 1 DDD	120 130	
10		Push button top with 2 push button side						
11		1 Push button side		change over contacts 0,5A 250V AC 15	KBAD / 50	B 1 D B 1 DD B 1 DDD	110 120 130	
12		2 Push button side						
13		3 Push button side						
14		Push button top with Rocker switch side tast-0-tast (protection IP 41)	T-O-T	1 change over contact 0,5A 250V AC 15 2 change over contacts 0,5A 250V AC 15	KBAD / 75	B 1 DW	120	
15		Lever switch side 0-tast mechanical operation		change over contacts 2A 250V AC 15	KBAD / 126 KBAD / 54	B 1 KT B 1 K B 1 KK	150 120 130	
16		Lever switch side 0-tast 1 contact						
17		Lever switch side 0-tast 2 contacts						
21		Cable 4 res. 8 x 0,25 mm ² x 450 mm long wired included Pos. 1-17						
22		Additional price per metre cable 4-pole						
		Additional price per metre cable 8-pole						