



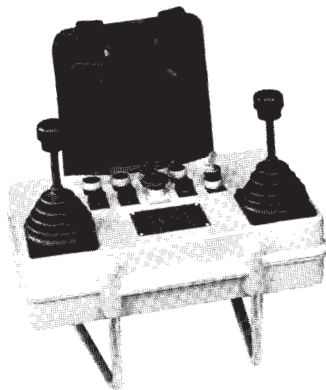
GESSMANN

Elektro-Trading sp. z o.o.
tel. (032) 734-55-72
et@elektro-trading.com.pl

Portable control unit TS 1

2/150

2002



The portable control unit TS 1 accommodates all the devices necessary for control and monitoring. The chest panel and straps enable the operator to carry it without becoming tired. An adjustable carrying strap can also be fitted for use without the chest plate.

The control console is made of polyester (glass fibre reinforced plastic).
Colour RAL 7032 pebble-gray.
It can also be supplied as RAL 1018 yellow.

Permissible ambient temperature

Operation -40° C to + 60° C

Storage -50° C to + 80° C

Climate resistance
Damp heat constant
Damp heat cyclic
Degree of protection

DIN IEC 68 part 2-3
DIN IEC 68 part 2-30
control unit IP 65 with
multi axis controller IP 54
to IEC 529 DIN 40050

Pos.						Type	Weight gramm	Price EURO
1	Control unit with chest plate and straps					TS 1	3300	
2	Control unit with straps					TS 11	3000	
3								
4	Plastic housing with surface resistance of less than < 10° Ohm/cm							
5	Legs for control unit Alu-tube 2 pieces						320	
6	Legs for control unit stainless steel-type 2 pieces						600	
7	Reeling hooks for control unit stainless steel						1200	
8	Cable entry M 32 for cable 11-21 mm or M 40 for cable 19-28 mm						80	
9								
10	Multi-axis controller	look catalog 1/100						
11	Single-axis controller	look catalog 1/200						
12	Single-axis controller	look catalog 1/190						
13	Control-switch	look catalog 1/220						
14	Command and indicating devices	look catalog 1/360						
15	Plug in socket	16-pole male insert	HAN 16 E without wiring			200		
16	Connector	16-pole female insert	HAN 16 E without wiring			250		
17	Plug in socket	24-pole male insert	HAN 24 E without wiring			320		
18	Connector	24-pole female insert	HAN 24 E without wiring			340		
19	Plug in socket	32-pole male insert	HAN 32 A without wiring			380		
20	Connector	32-pole female insert	HAN 32 A without wiring			400		
21	Cable Oelflex	18 x 1 mm ²	13,4 mm ø	-5° C to +80° C	each metre	320		
22	Cable Oelflex	25 x 1 mm ²	15,4 mm ø	-5° C to +80° C	each metre	450		
23	Cable Oelflex	34 x 1 mm ²	18,6 mm ø	-5° C to +80° C	each metre	600		
24	Cable Neoflex	18 x 1 mm ²	19,2 mm ø	-30° C to +80° C	each metre	470		
25	Cable Neoflex	24 x 1 mm ²	22,1 mm ø	-30° C to +80° C	each metre	650		
26	Cable Neoflex	36 x 1 mm ²	26,1 mm ø	-30° C to +80° C	each metre	910		
27								
30	Terminal block 2,5 mm ² without wiring each terminal					KL		
31	Terminal block 2,5 mm ² with wiring wire 1,5 mm ² each terminal					KL		
32	wired plug in socket, connector or cable each wire terminal							
33								
34								
40	Indicating labels not engraved with 2 or 4 arrows							
41	Engraved each 10 characters							



GESSMANN

Elektro-Trading sp. z o.o.
tel. (032) 734-55-72
et@elektro-trading.com.pl

Portable control unit TS 1

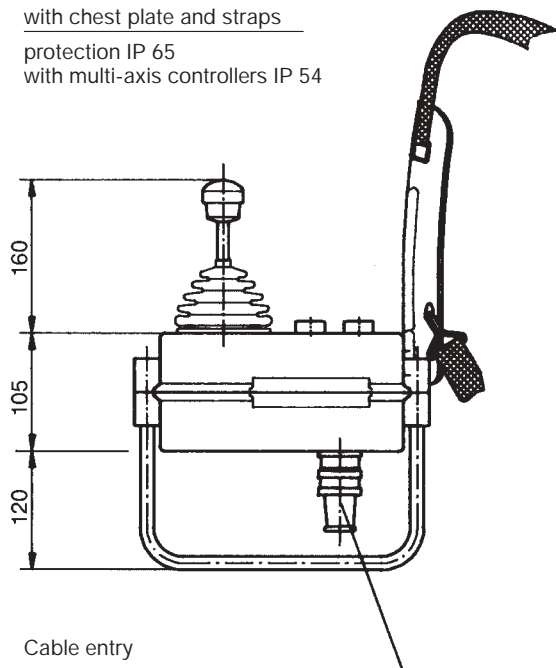
2/151

2002

with chest plate and straps

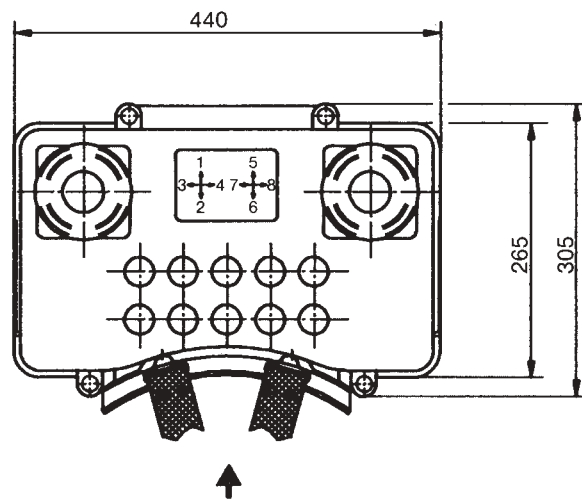
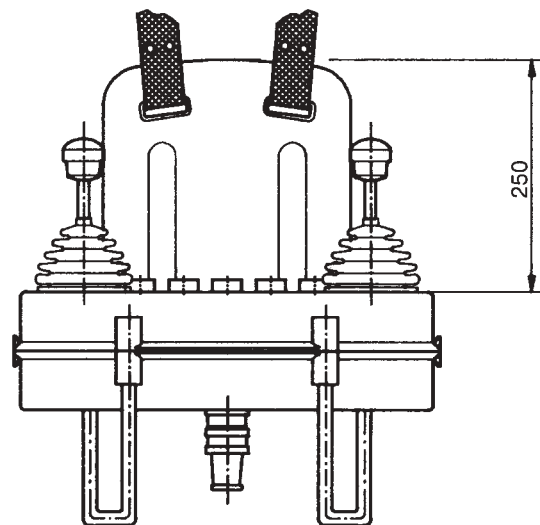
protection IP 65

with multi-axis controllers IP 54



Cable entry

with anti-kink protection and
stain relief or connectors



Direction of view

with adjustable carrying strap

protection IP 65

with multi-axis controllers IP 54

