



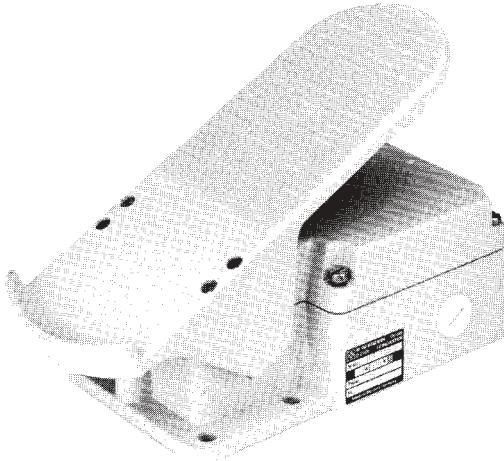
**GESSMANN**

Elektro-Trading sp. z o.o.  
tel. (032) 734-55-72  
et@elektro-trading.com.pl

## Pedal-controller P 7, PP7

3/100

2002



The pedal-controller P 7 and PP 7 is a rugged switching devices to IEC 947-5-1 EN 60 947 DIN VDE 0660-200, for footing applications.

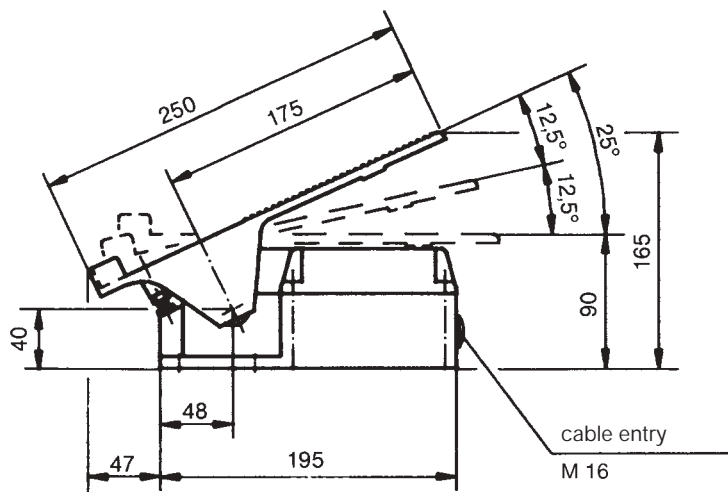
**Contact complement** 2 A 250 V AC 15 res. 3 A 24 V DC 13

**Surface treatment** Primer, top coat: 2 coats of epoxy-resin paint, standard colour RAL 7032 pebble-gray

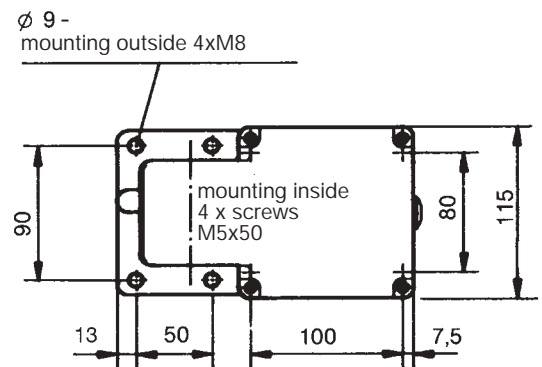
**Mechanical life** P 7 6 million operating cycles  
PP 7 10 million operating cycles

**Permissible ambient temperature** Operation -40° C to + 60° C  
Storage -50° C to + 80° C

**Climate resistance**  
Damp heat constant DIN IEC 68 part 2-3  
Damp heat cyclic DIN IEC 68 part 2-30  
Degree of protection P 7 IP 54 IEC 529 DIN 40050  
PP 7 IP 65 IEC 529 DIN 40050



view at the top without rocker

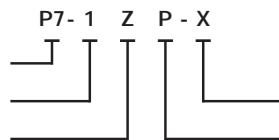


Example for Type-sign

Pedal-controller

No. of contacts

Spring return



Special please to describe

Potentiometer e.t.c.

Pos.		Type	Weight gramm	Price EURO
1	Pedal-controller standard version	P 7	1700	
2	Pedal-controller heavy-duty version	PP 7	1800	
3				
4	Switching sequence max. 0-4 or max. 2-0-2		150	
5	Spring return in 0-position	Z	100	
6	Friction brake	R	50	
7				
8	No. of contacts (microswitch) max. 6 pcs.	1	30	
9	Switching program according contact-arrangement MS look catalog 5/001	2	40	
10	or to your contact-arrangement	3	50	
11				
12	Potentiometer e.t.c. with mounted Wire-wound potentiometer T 237 linear life 5 x 10 <sup>6</sup> switching cycles resistance 1/2/5/10 kOhm 1 Watt wiper current max. 10mA	P	70	
13	Prepared for mounting potentiometer shaft 6 mm adjusting-angel 300°	(P)		
14	More potentiometer e.t.c. look catalog 1/240...			
15				