



GESSMANN

Elektro-Trading sp. z o.o.
tel. (032) 734-55-72
et@elektro-trading.com.pl

Crane control unit KST 4 swivelling manual adjustment

2/040

2002



The swivelling crane control unit KST 4 is ergonomically designed and provides a high degree of comfort. The standard design includes following:

Equipment boxes: Sheet steel.

The equipmentboxes with the devices can be vertically and horizontally adjusted together with the arm rests. Cabling is run through aduct in the cross-member. (Terminal block).

Seat: Comfortable spring mounted seat KFS 9, with an oilhydraulic vibration absorption system, weight adjustment and air-permeable artificial-Leather or textil material.

Adjusting possibilities: Seat horizontally and vertically, Inclination of cushion, backrest and armrest also adjustable, weight setting for optimum spring suspension, right equipment box turnable.

Cross-member: Steel selection, top of which can be raised to lay cabling. The seat can be tilted backwards so that the cable duct in the crossmember is accessible.

Swivel base: zero-end-float spring-loaded bearing
Rotational movement 180° right, 90° left, stopped by friction-brake.

Surface treatment: Anti-corrosion primer, top coat:
2 coats of epoxy-resin paint, standard colour RAL 9011 black.
All non-painted metal parts are electrogalvanized and chromed.

Permissible ambient temperature Operation -40° C to + 60° C
Storage -50° C to + 80° C

Climate resistance
Damp heat constant DIN IEC 68 part 2-3
Damp heat cyclic DIN IEC 68 part 2-30
Degree of protection IP 54 IEC 529 DIN 40050

Description data look catalog 5/003/004

Pos.		Type	Weight kg	Price EURO
1	Crane control unit standard design	Equipment boxes 160 x 420 mm	KST 41	58
2	Crane control unit standard design	Equipment boxes 200 x 420 mm	KST 42	60
3				
4				
5	Crane control unit standard design	Equipment boxes special dimensions	KST 4x	enquiry
6	Headrest for driver's seat KFS 9			
7	additional variations for driver's seat KFS 9 look catalog 2/140			
8				
9				
10	Foot rest mounted onto swivel base adjustable ± 15 mm		8	
11				
12				
13	Plate for horizontal manual adjustment of control unit adjustable ± 250 mm			
14				
15				
16				
17				
18				
19				
20	Multi-axis controller	look catalog 1/100		
21	Single-axis controller	look catalog 1/200		
22	Double handle controller	look catalog 1/160		
23	Control-switch	look catalog 1/220		
24	Command and indicating devices	look catalog 1/360		
30	Terminal block 4 mm ² without wiring each terminal		KL	
31	Terminal block 4 mm ² with wiring wire 1,5 mm ² each terminal		KL	
32	External wiring single wire highly flexible 1,5 mm ² 5 metre long			
33	Additional or subtract price each metre			
40	Special painted			
41	Indicating labels not engraved with 2 or 4 arrows			
42	Engraved each 10 characters			

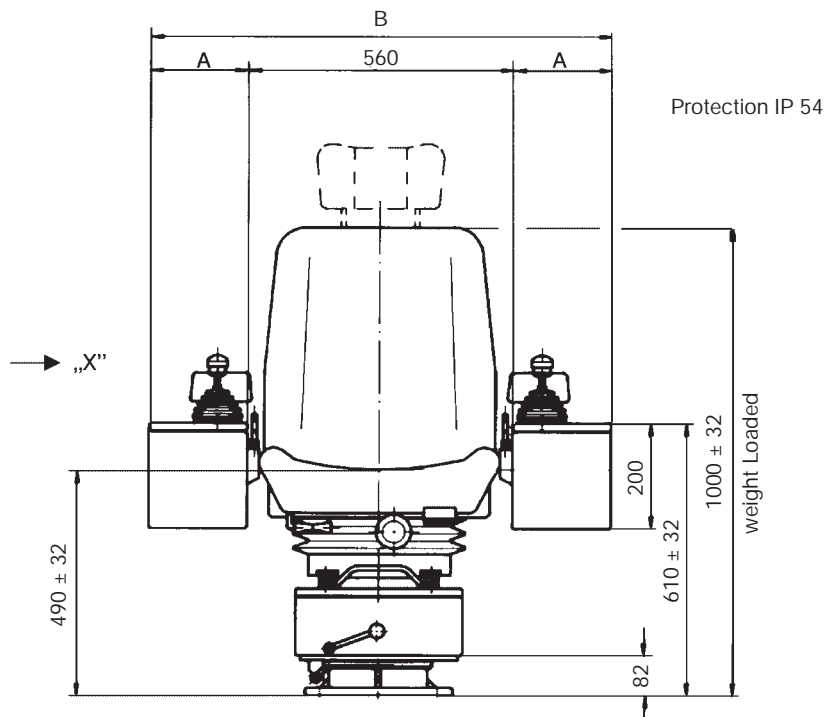


GESSMANN

Elektro-Trading sp. z o.o.
tel. (032) 734-55-72
et@elektro-trading.com.pl

Crane control unit KST 4 swivelling
manual adjustment

2/041
2002



Type	Dimension A	Dimension B	Dimension C
KST 41	160	880	650
KST 42	200	960	690

