



The swivelling crane control unit KST 18 is ergonomically designed and provides a high grade of comfort.

The standard design includes following:

Equipment boxes: Sheet steel. The top panel of the equipment box with the devices can be raised and locked in position. Cabling is run through aduct from the equipment boxes in the cross-member. (Terminal block).

Seat: Comfortable spring mounted seat KFS 9, with an oilhydraulic vibration absorption system, weight adjustment and air-permeable artificial-Leather or textil material.

Manual adjustments: Seat horizontally and vertically, Inclination of cushion, backrest and armrest also adjustable, weight setting for optimum spring suspension. Equipment boxes horizontally and vertically.

Motorized adjustments: Seat with equipment-boxes vertical (inclinations adjustments forward/backward), Seat with equipment-boxes horizontal.  
Selector switches for motorized-drives are in the equipment box. Motor 12 V DC ca. 30 ampere.

Cross-member: Steel section, top of which can be raised to lay cabling. The seat with the boxes can be tilted forwards so that the cable duct in the cross-member is accessible.

Swivel base: zero-end-float spring-loaded bearing.  
Rotational movement 180° right, 90° left, stopped by friction-brake.

Surface treatment: Anti-corrosion primer, top coat:  
2 coats of epoxy-resin paint, standard colour RAL 7032 pebble-gray. All non-painted metal parts are electrogalvanized and chromed.

Description data look catalog 5/003/004

Permissible ambient temperature	Operation -40° C to + 60° C Storage -50° C to + 80° C
Climate resistance	
Damp heat constant	DIN IEC 68 part 2-3
Damp heat cyclic	DIN IEC 68 part 2-30
Degree of protection	IP 54 IEC 529 DIN 40050

Pos.		Type	Weight kg	Price EURO
1	Crane control unit standard design	Equipment boxes 160 x 420 mm	KST 181	148
2	Crane control unit standard design	Equipment boxes 200 x 420 mm	KST 182	150
3				
4				
5	Crane control unit standard design	Equipment boxes special dimensions	KST 18x	enquiry
6	Headrest for driver's seat KFS 9			
7	additional variations for driver's seat KFS 9 look catalog 2/140			
8				
9				
10	Foot rest mounted onto swivel base adjustable ± 15 mm		8	
11				
12				
13	Plate for horizontal manual adjustment of control unit adjustable ± 250 mm		95	
14				
15				
16				
17				
18	Motorized adjustment of control unit swivelling (drive 24 V DC, seat height + 30 mm)		16	
19				
20	Multi-axis controller	look catalog 1/100		
21	Single-axis controller	look catalog 1/200		
22	Double handle controller	look catalog 1/160		
23	Control-switch	look catalog 1/220		
24	Command and indicating devices	look catalog 1/360		
30	Terminal block 4 mm <sup>2</sup> without wiring each terminal		KL	
31	Terminal block 4 mm <sup>2</sup> with wiring wire 1,5 mm <sup>2</sup> each terminal		KL	
32	External wiring single wire highly flexible 1,5 mm <sup>2</sup> 5 metre long			
33	Additional or subtract price each metre			
40	Special painted			
41	Indicating labels not engraved with 2 or 4 arrows			
42	Engraved each 10 characters			

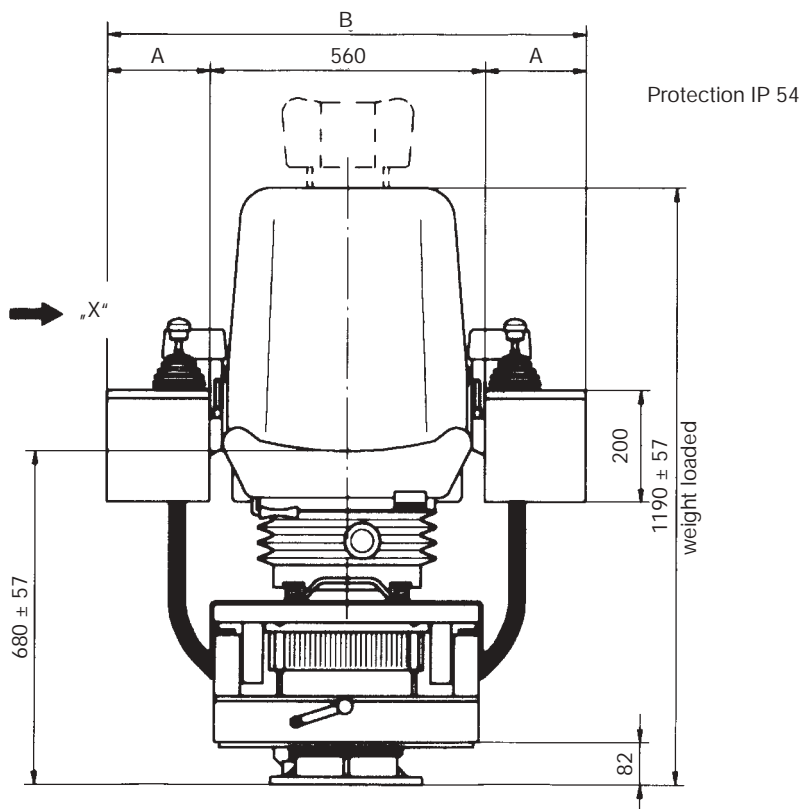


**GESSMANN**

Elektro-Trading sp. z o.o.  
tel. (032) 734-55-72  
et@elektro-trading.com.pl

**Crane control unit KST 18 swivelling  
manual and/or motorized adjustment**

2/109  
2002



Type	Dimension A	Dimension B	Dimension C
KST 181	160	880	780
KST 182	200	960	810

